

Surge-Trap® Type 1 STXH

The most compact of the STX series offering, the Surge-Trap® Type 1 STXH meets requirements for UL1449 4th Edition and is suitable for any 120/240VAC split phase application. The STXH Series SPD features TPMOV® technology inside making it the safest product available in its category. Its compact size, performance, and reliability are especially ideal for HVAC applications and direct mounting to air condition disconnect switches.

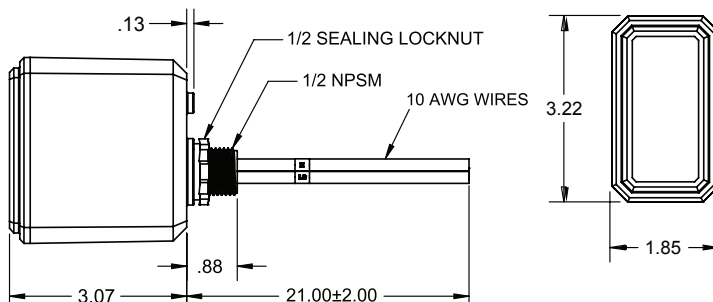
- Designed with the industry leading Mersen TPMOV® Technology
- Compact footprint designed to mate with AC Disconnect Switches
- LED status indicator (ON = Good, OFF = Replace)
- NEMA 4X enclosure for outdoor or indoor use
- Fits 1/2" knockouts with 18" leads for easy installation
- For use in ANSI/UL Type 1 or 2 SPD installations
- 3 Modes of Protection (L-N, L-L)
- 3-year warranty



ITEM #	DESCRIPTION	UPC	UOM	OM	LIST PRICE
STXH120P05	STXH Type 1 50kA 120V Single Phase	0782001472511	EA	1	\$175.00
STXH240S05	STXH Type 1 50kA 240/120V Split Phase	0782001472504	EA	1	\$175.00

Specifications

Product	Surge-Trap® Type 1 STXH
Mounting	1/2" - 14 threaded hub, including sealing locking washer
Wiring	Pre-wired 18" 10AWG
Enclosure	NEMA 4X Non-metallic
Flammability	UL94-5VA
Operating & Storage Temperature	-40°C to 85°C
Relative Humidity Range	0 to 95% non-condensing
Visual End-of-Life Indicator	GREEN = OK, OUT = REPLACE
Frequency	50-60Hz



Surge-Trap® Type 1 STXR

The most popular range in the STX series offering, the Surge-Trap® Type 1 STXR meets requirements for UL1449 4th Edition and is ideal for the replacement of obsolete surge arrestors. The STXR Series SPDs feature TPMOV® technology inside, making them the safest product available. With a small, compact design and line or load installation flexibility, the STXR series is the perfect fit for branch panel and/or individual equipment protection.

- Designed with the industry leading Mersen TPMOV® Technology
- LED status indicator (ON = Good, OFF = Replace)
- NEMA 4X enclosure for outdoor or indoor use
- Fits 3/4" knockouts with 3' leads for easy installation
- Optional mounting bracket for surface mount applications
- Optional audible alarm and remote dry contacts
- For use in ANSI/UL Type 1 or 2 SPD installations
- Up to 10 Modes of Protection (L-N, L-L, L-G optional, N-G optional)
- 5-year warranty



ITEM #	DESCRIPTION	UPC	UOM	OM	LIST PRICE
STXR208Y05N	STXR Type 1 50kA 208Y/120V N-G	0782001469962	Each	1	\$ 396.20
STXR480Y05N	STXR Type 1 50kA 480Y/277V N-G	0782001469986	Each	1	\$ 396.20
STXR240D05	STXR Type 1 50kA 240V 3-Phase DELTA	0782001469900	Each	1	\$ 396.20
STXR480D05	STXR Type 1 50kA 480V 3-Phase DELTA	0782001469917	Each	1	\$ 396.20
STXRMBK	STXR Surge Protector Mounting Bracket Kit	0782001470760	Each	1	\$ 54.92

Specifications

Product	Surge-Trap® Type 1 STXR
Mounting	3/4" - 14 threaded hub, including locking washer
Wiring	Pre-wired 3" (1m) 10AWG
Enclosure	NEMA 4X Non-metallic
Flammability	UL94-5VA
Operating & Storage Temperature	-40°C to 85°C
Relative Humidity Range	0 to 95% non-condensing
Visual End-of-Life Indicator	GREEN = OK, OUT = REPLACE
Frequency	50-60Hz

