

Product Family
230-B2L

Description

Hef-T-Bracket™ (Type 2), Large

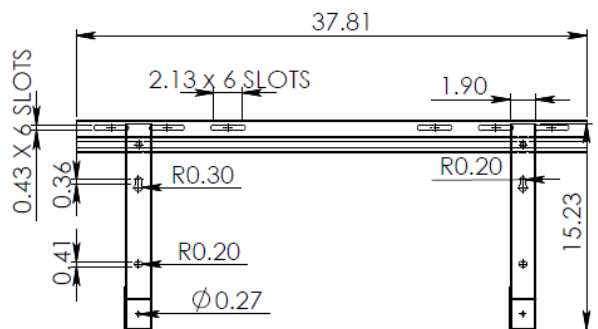
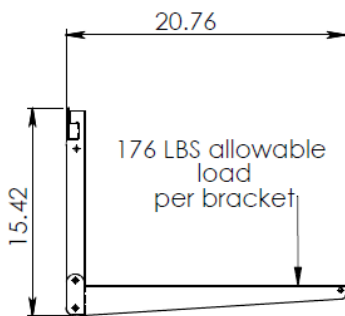
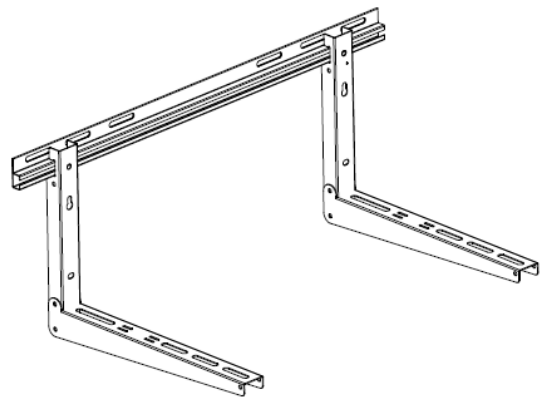
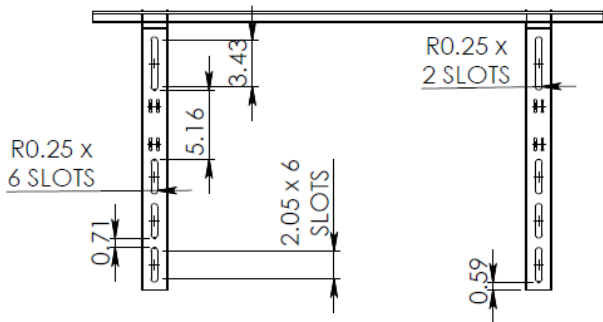
Application

Used for supporting condensing units, Hef-T-Brackets (Type 2) feature a cross bar that is attached to a wall, and two L-shaped brackets that are hooked and bolted into place on the cross bar. The condensing unit is mounted onto the L-shaped brackets, and fastened using the bolts and anti-vibration washers provided.



Features

- Holds up to 176 pounds per arm.
- All assembly hardware is included.
- Powder coated
- 15 GA steel



Simplify The Way You Work

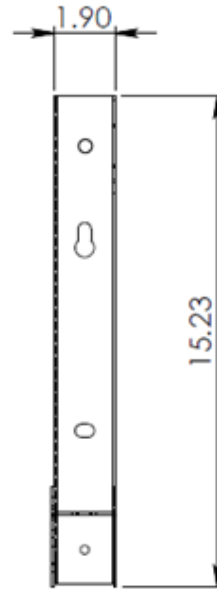
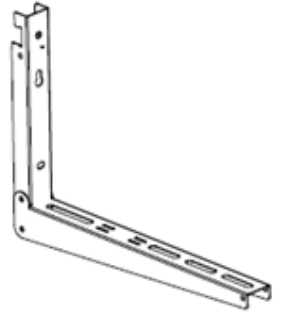
6650 Sugarloaf Parkway, Duluth, GA 30097 Phone: 800-955-2222 Fax: 678-542-3700 www.diversitech.com

© 2016 Diversitech Corporation

All rights reserved.

Rev. 2/27/17

Page 1 of 1



Simplify The Way You Work

6650 Sugarloaf Parkway, Duluth, GA 30097 Phone: 800-955-2222 Fax: 678-542-3700 www.diversitech.com
© 2016 Diversitech Corporation
All rights reserved.