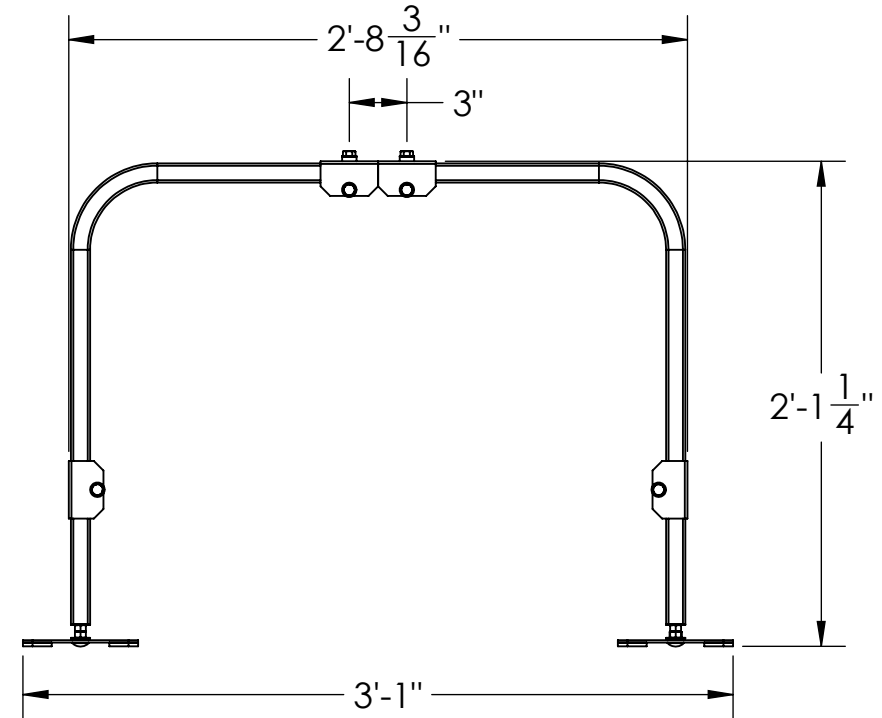


4

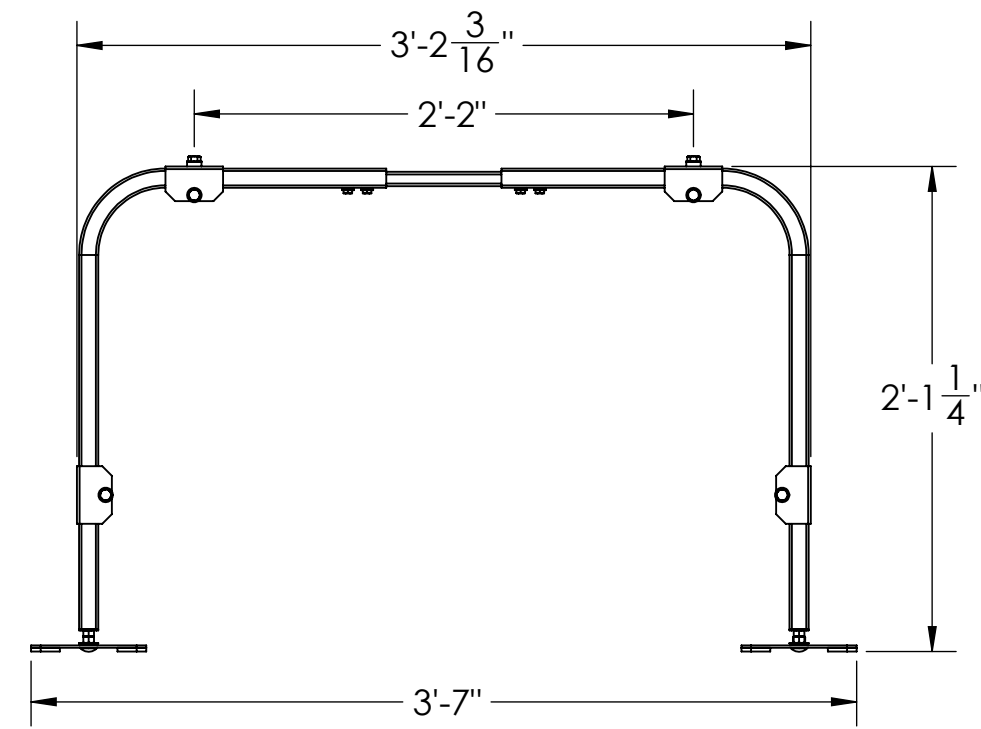
3

2

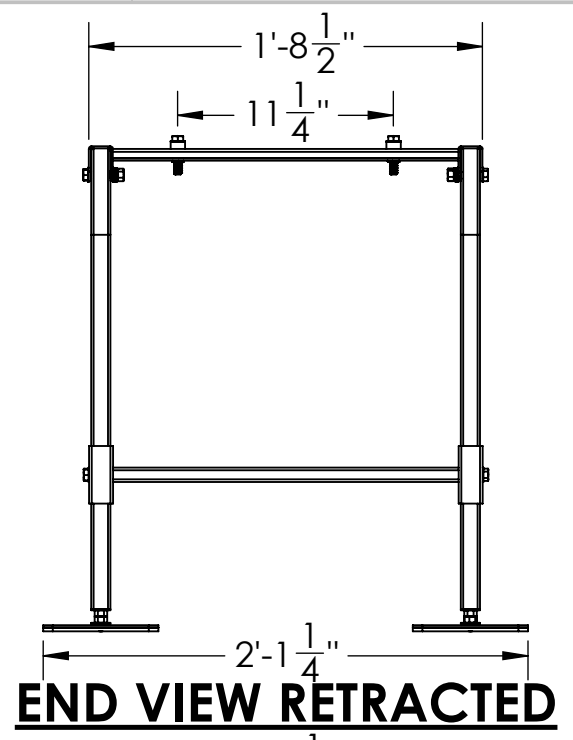
1



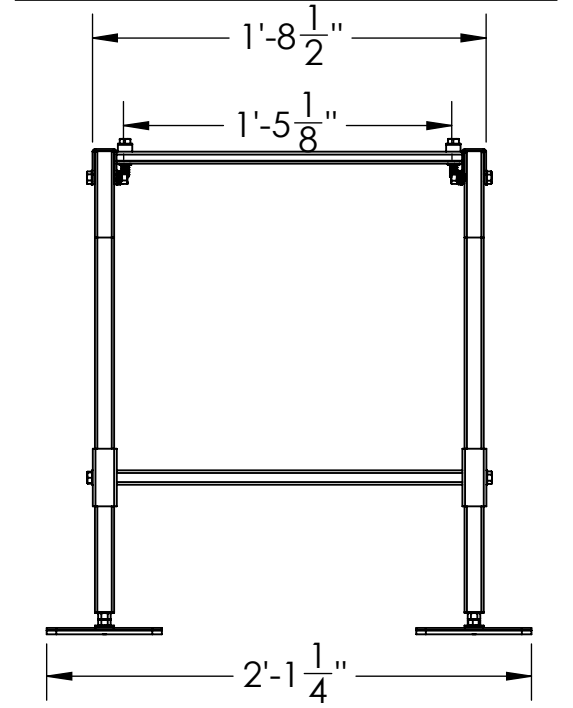
SIDE VIEW RETRACTED



SIDE VIEW EXPANDED



END VIEW RETRACTED



END VIEW EXPANDED

(*) - WIDTH IS ADJUSTABLE IN 1" INCREMENTS
 IMPORTANT NOTE: THE INSTALLER IS RESPONSIBLE FOR THETHERING AND BOLTING UNITS TO WITHSTAND WIND AND/OR SEISMIC LOADS.

UNLESS OTHERWISE SPECIFIED:
 DIMENSIONS ARE IN INCHES [MILLIMETERS]
 TOLERANCES ARE: ANGLES ±1.0°
 FRACTIONAL SIZES X/Y ±1/64

| INCHES | [MILLIMETERS] |
|---------------|-----------------|
| X = ±0.1 | [X = ± 2.5] |
| .XX = ±0.01 | [.X = ± 1.3] |
| .XXX = ±0.005 | [.XX = ±0.13] |

THIRD ANGLE PROJECTION



| | | |
|---|---|------------------------|
| CONFIDENTIAL - PROPRIETARY - DO NOT COPY THE INFORMATION SET FORTH IN THIS DOCUMENT AND RELATED INFORMATION IS THE CONFIDENTIAL PROPERTY OF DIVERSITECH CORPORATION, AND IS NOT TO BE COPIED OR REPRODUCED OR DISTRIBUTED IN ANY FORM WITHOUT PRIOR WRITTEN PERMISSION FROM DIVERSITECH CORPORATION. DO NOT SCALE DRAWING | MATERIAL: DWG. NO. MINI SPLIT STAND - 2401 MODEL NO. QSMS2401 | WEIGHT GMS. REV. |
| | DESCRIPTION | SHEET 1 OF 2 |

4

3

2

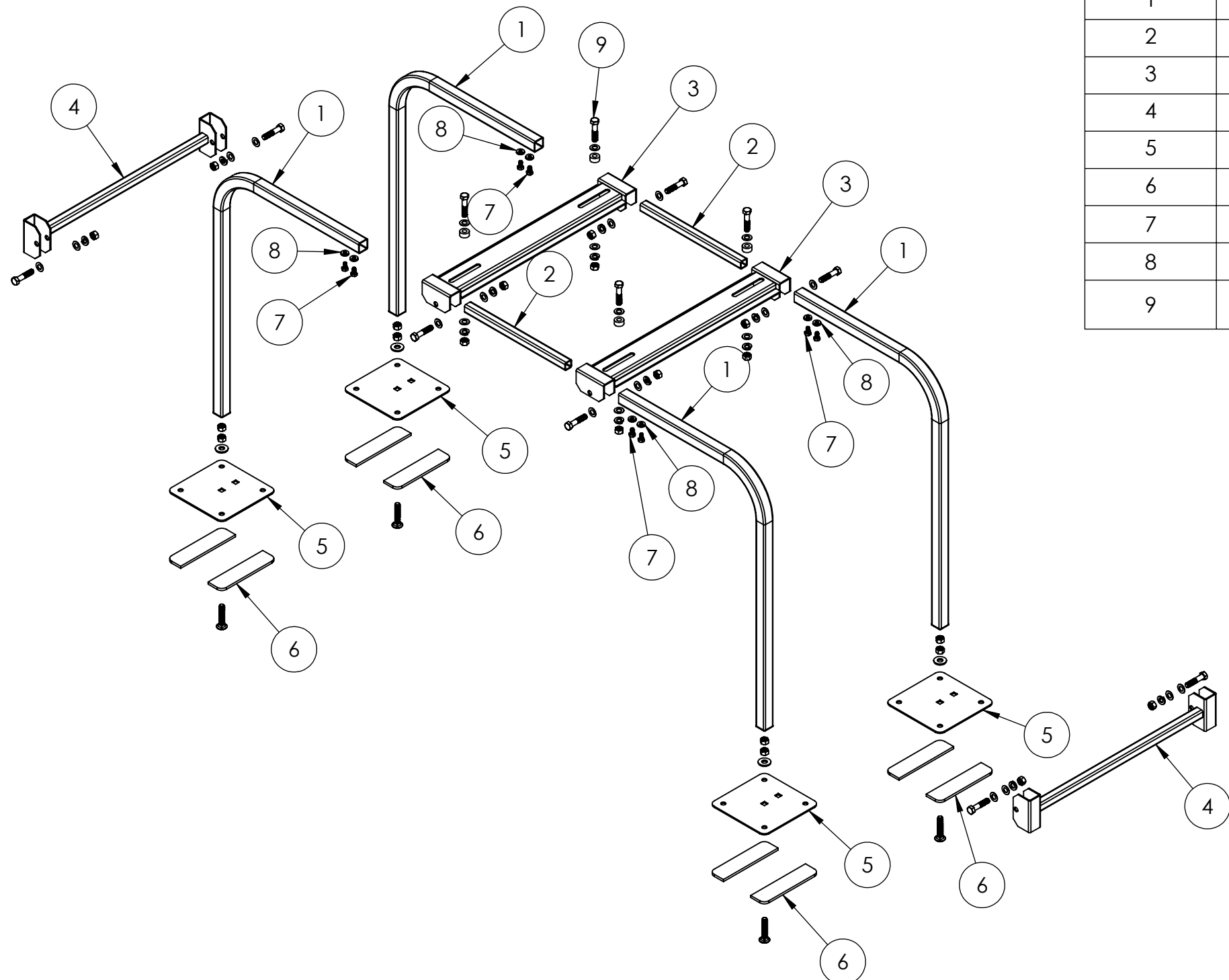
1

B

B

A

A



| ITEM NO. | PART NUMBER | DESCRIPTION | Default/ QTY. |
|----------|-------------|---------------------------------|------------------|
| 1 | MS116 | Mini Split 24in J-Bar | 4 |
| 2 | MS106 | Mini Split Extension Bar | 2 |
| 3 | MS109 | Mini Split Long Saddle Arm | 2 |
| 4 | MS114 | Mini Split Wide Stability Arm | 2 |
| 5 | MS105 | Mini Split 6x6 Feet | 4 |
| 6 | QSR042 | Mini Split Rubber Foot | 8 |
| 7 | QSR008 | 1/4-20x1/2in Zinc Hex Bolt | 8 |
| 8 | QSR015 | 1/4in Bonded Washers | 8 |
| 9 | HDKMS05 | Hardware kit for QSMS1802, 2402 | 1 |

NOTE - ALL ASSEMBLY HARDWARE IS INCLUDED

UNLESS OTHERWISE SPECIFIED:
 DIMENSIONS ARE IN INCHES [MILLIMETERS]
 TOLERANCES ARE: ANGLES ±1.0°
 FRACTIONAL SIZES X/Y ±1/64

| INCHES | [MILLIMETERS] |
|---------------|-----------------|
| X = ±0.1 | [X = ± 2.5] |
| .XX = ±0.01 | [.X = ± 1.3] |
| .XXX = ±0.005 | [.XX = ±0.13] |

THIRD ANGLE PROJECTION



| | | |
|---|---|------------------------|
| CONFIDENTIAL - PROPRIETARY - DO NOT COPY THE INFORMATION SET FORTH IN THIS DOCUMENT AND RELATED INFORMATION IS THE CONFIDENTIAL PROPERTY OF DIVERSITECH CORPORATION, AND IS NOT TO BE COPIED OR REPRODUCED OR DISTRIBUTED IN ANY FORM WITHOUT PRIOR WRITTEN PERMISSION FROM DIVERSITECH CORPORATION. DO NOT SCALE DRAWING | MATERIAL: DWG. NO. MINI SPLIT STAND - 2401 MODEL NO. QSMS2401 | WEIGHT GMS. REV. |
| | DESCRIPTION | SHEET 2 OF 2 |