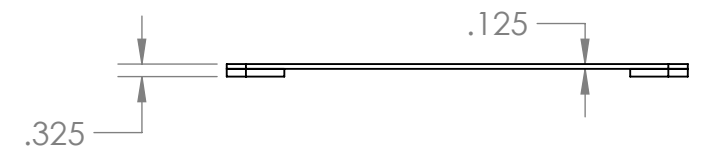
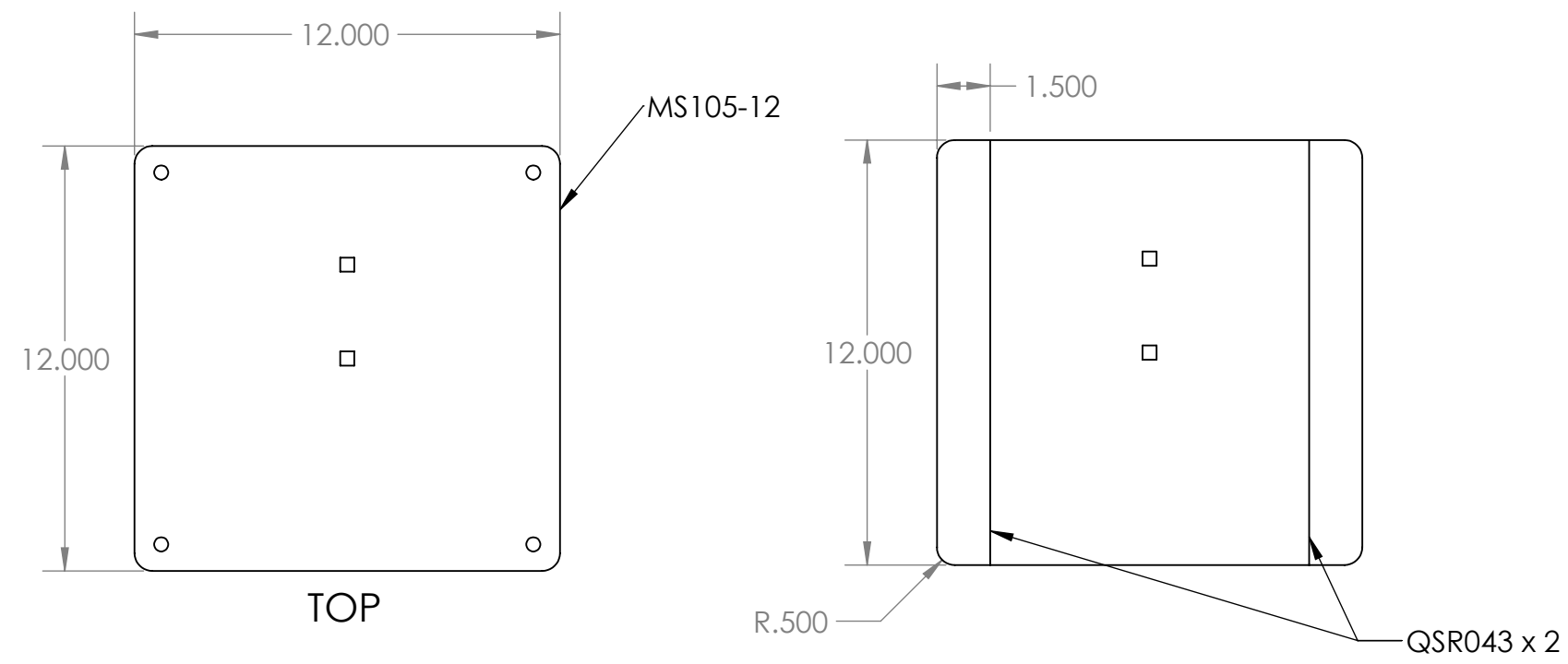


**NOTES**  
 MATERIAL:  
 COLOR:  
 TEXTURE:  
 NOTES HERE....

REVISIONS					
REV	ZONE	DESCRIPTION	EC	NAME	DATE
A01		INITIAL RELEASE			

THE QSMSFT12 KIT  
 CONTAINS FOUR (4) FEET



MATERIAL: SEE NOTES  
 FINISH: SEE NOTES

INTERPRET THIS DRAWING IN ACCORDANCE  
 WITH ASME Y14.5-2009 DIMENSIONING AND  
 TOLERANCING STANDARDS



	NAME	DATE
DRAWN		
CHECKED		
ENG APPR.		
MFG APPR.		
Q.A.		

**UNLESS OTHERWISE SPECIFIED**  
 DIMENSIONS ARE IN (INCHES)/MM  
 TOLERANCES IN MM

ANGULAR MACH ±0.25°  
 ANGULAR BEND ±1°  
 X. ±2  
 X.X ±0.1  
 X.XX ±0.02  
 X.XXX N/A

TITLE: 12"x12" minisplit foot accessory kit		
SIZE	DRAWING NUMBER	REV
<b>B</b>	<b>QSMSFT12</b>	<b>A01</b>
SCALE: 1:5	WEIGHT (lbs):	SHEET 1 OF 1