

Installation Update - CS1200



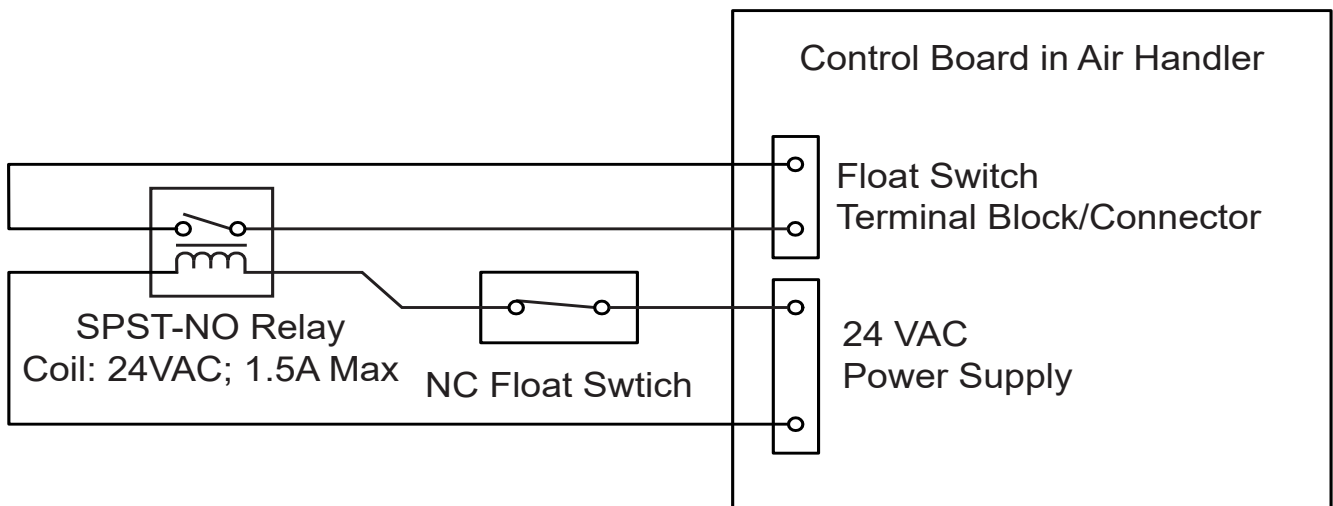
These instructions clarify the installation protocol recommended by DiversiTech for product CS1200.

Description: Some Communicating HVAC Systems using a dedicated condensate overflow safety switch shutdown input will require the use of an additional (optional) relay. The additional relay is only required if, after the installation of the above products, the HVAC system does not properly shutdown during verification testing.

Testing: Proper system shutdown verification testing is performed by first, ensuring that the system is running normally then pushing the test button.

And finally, check that the system shuts down as expected. If the unit does not shutdown, your unit is more sensitive to switch characteristics than traditional systems and, therefore, requires a relay. Please proceed to implement the relay solution outlined below.

Action: Use a normally open SPST relay with a 24VAC coil (DiversiTech part # D90-290Q or equivalent) to break the condensate overflow safety shutdown input circuit. DiversiTech condensate switch CS1200 should be used to make or break control power to the relay coil.



Please contact DiversiTech Customer Service at (800) 995-2222 with any questions.