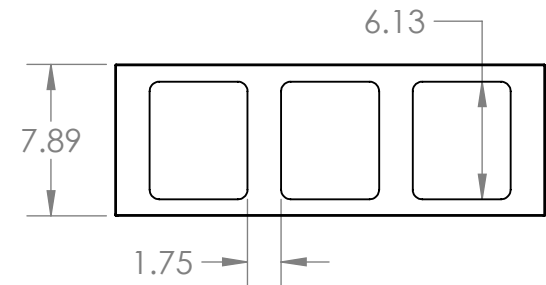
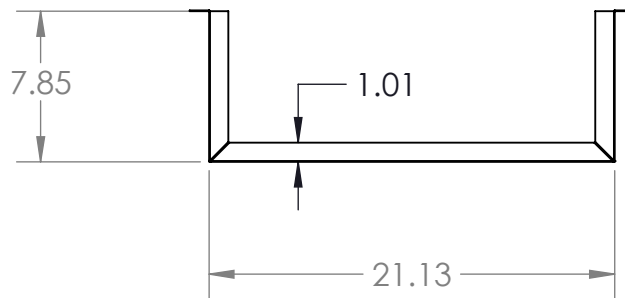
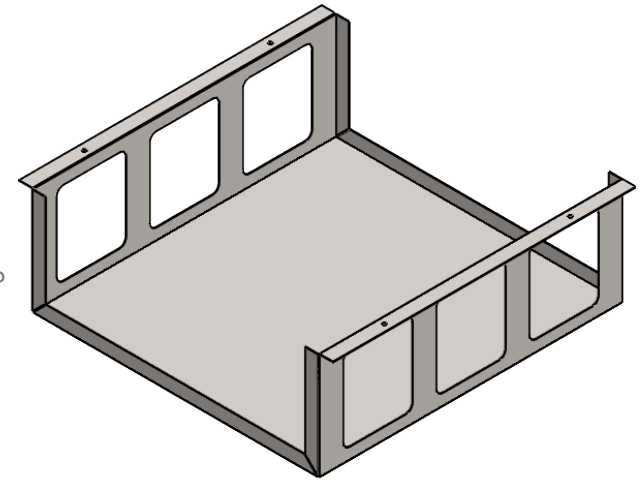
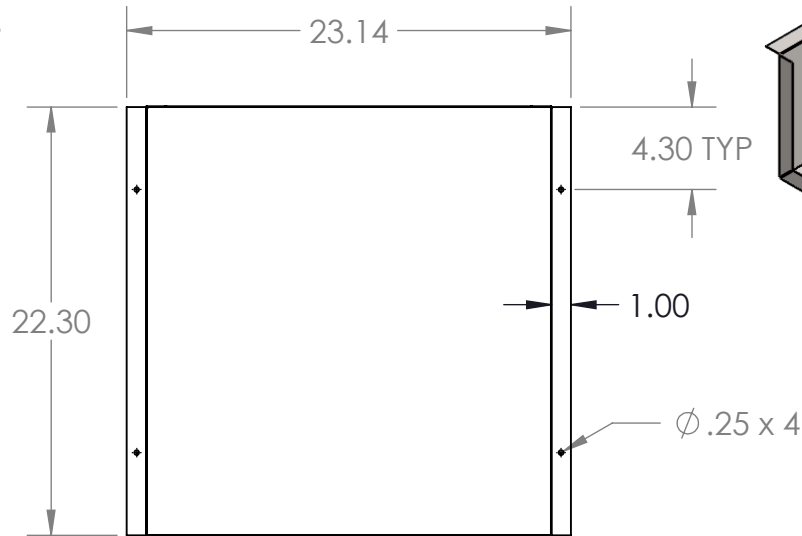


NOTES

- MATERIAL: 20 ga SHEET STEEL
 COLOR: RAL7044
 TEXTURE: POWDER COAT
 OTHER NOTES: PRE-TREAT
 1. ATLANTIC KLEEN 643
 2. ATLANTIC SEAL 787



ALL DRAWINGS AND WRITTEN MATERIAL CONTAINED HEREIN ARE THE PROPERTY OF DIVERSITECH CORP AND MAY NOT BE DUPLICATED OR DISCLOSED AT ANY TIME UNLESS APPROVED IN WRITING BY DIVERSITECH CORP

UNLESS OTHERWISE SPECIFIED DIMENSIONS & TOLERANCES ARE IN INCHES / [mm]

MATERIAL: SEE NOTES
 FINISH: SEE NOTES



TITLE

SIZE

ANG. MACH. ±0.25°
 ANG. BEND ±1°

DO NOT SCALE

WIND BAFFLE 21-1/8"

A

DECIMALS	INCHES	[mm]
X	±0.1	±2
X.X	±0.05	±0.1
X.XX	±0.005	±0.02
X.XXX	±0.002	±N/A

THIRD ANGLE PROJECTION



	NAME	DATE
DRAWN	dschlender	27 Sep 18
ENG APPR.		
MFG APPR.		

DRAWING NUMBER REVISION

QSBF-PA04

SCALE: 1:10 WT. (lbs): 7.6 SHEET 1 OF 1