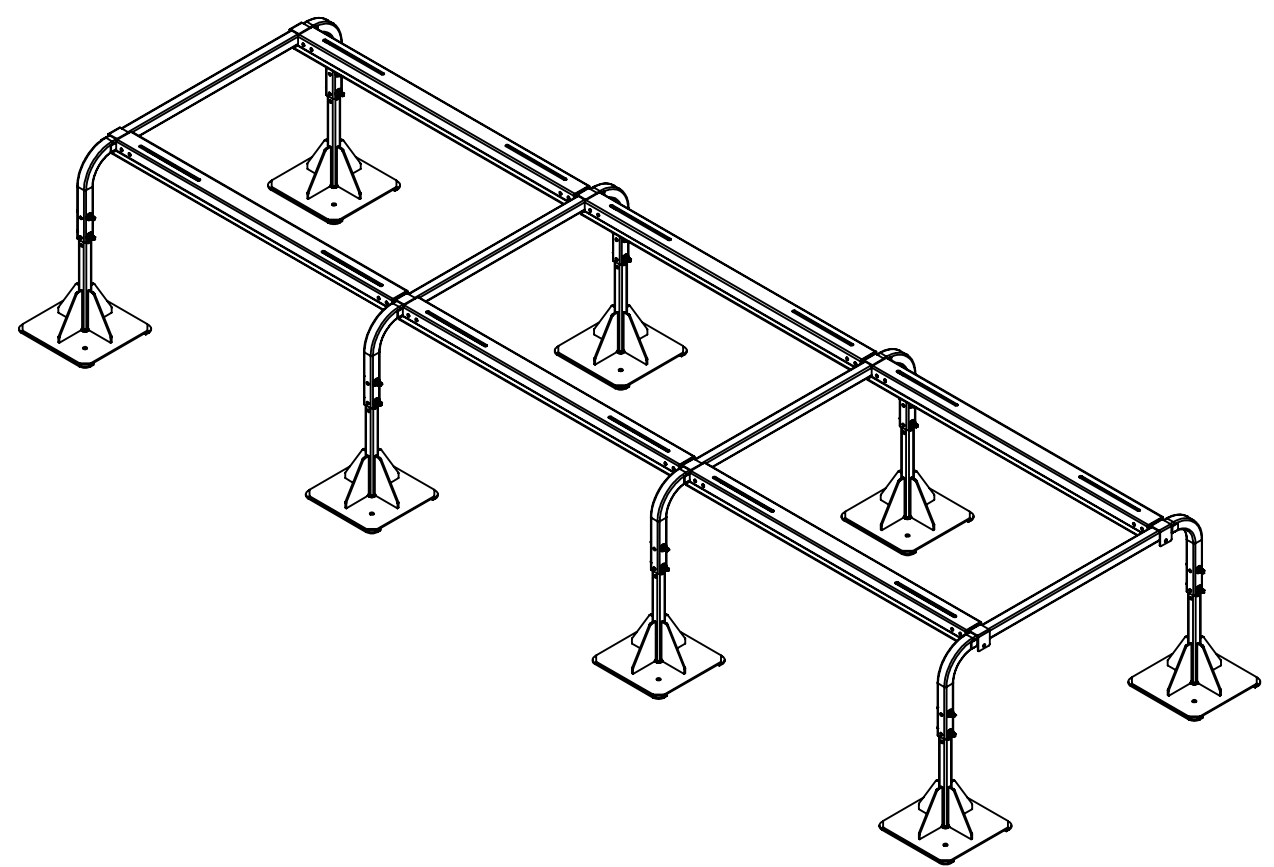
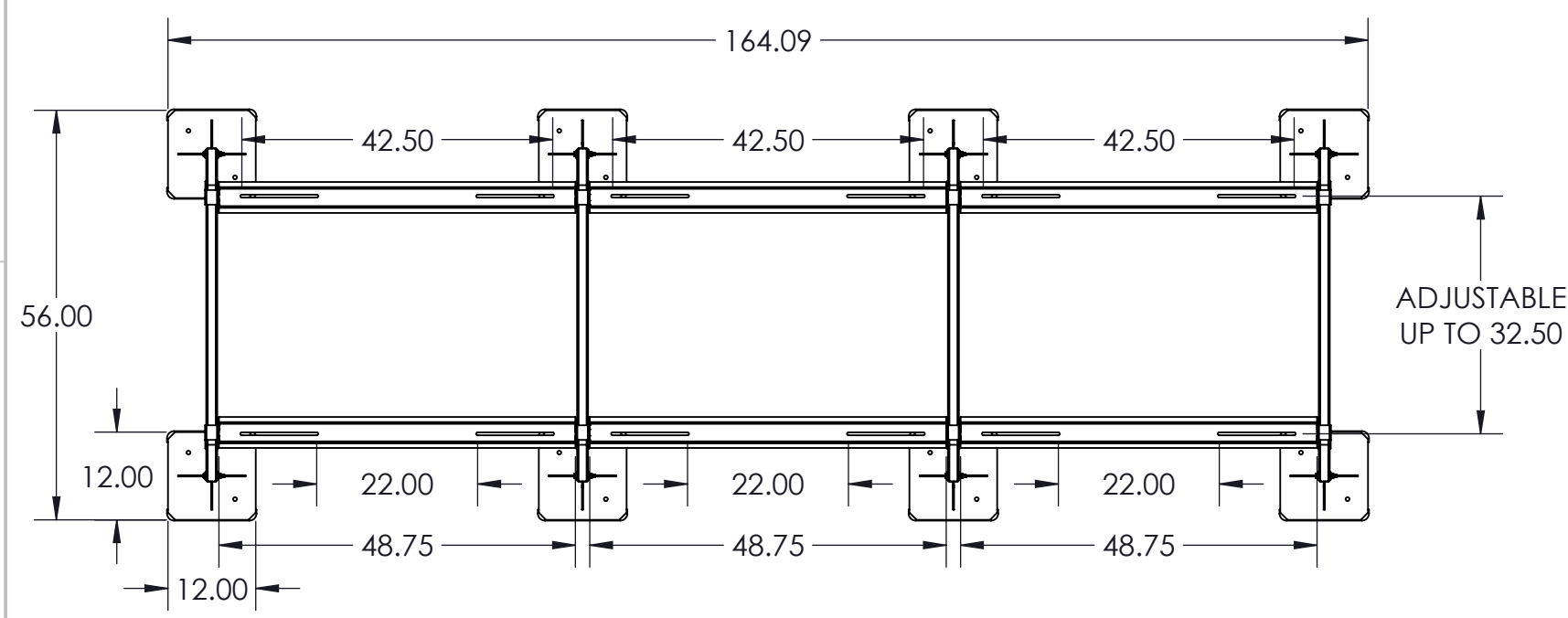


D

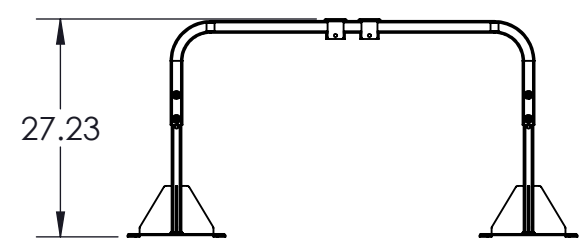
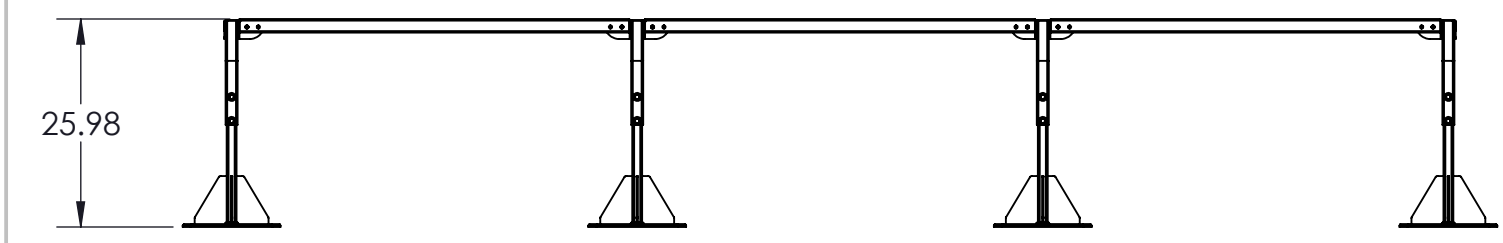


D

C

C

B



B

THIS UNIT CONSISTS OF:
(1) QSSB48-24
(2) QSSX48-24

A

A

ALL DRAWINGS AND WRITTEN MATERIAL CONTAINED HEREIN ARE THE PROPERTY OF DIVERSITECH CORP AND MAY NOT BE DUPLICATED OR DISCLOSED AT ANY TIME UNLESS APPROVED IN WRITING BY DIVERSITECH CORP

INTERPRET THIS DRAWING IN ACCORDANCE WITH ASME Y14.5-2009 DIMENSIONING AND TOLERANCING STANDARDS

NOTES:

MATERIAL: SEE NOTES
 FINISH: SEE NOTES
 DO NOT SCALE

THIRD ANGLE PROJECTION

NAME	DATE
AMP	11 Mar 19
ENG APPR.	
MFG APPR.	

TITLE		SIZE
Super Stand Base w/ 48" rails, two 48" ext, & 24" tall		B
DRAWING NUMBER		REVISION
QSSB(48)(48)(48)-24		
SCALE: 1:2	WT. (lbs):	SHEET 1 OF 1