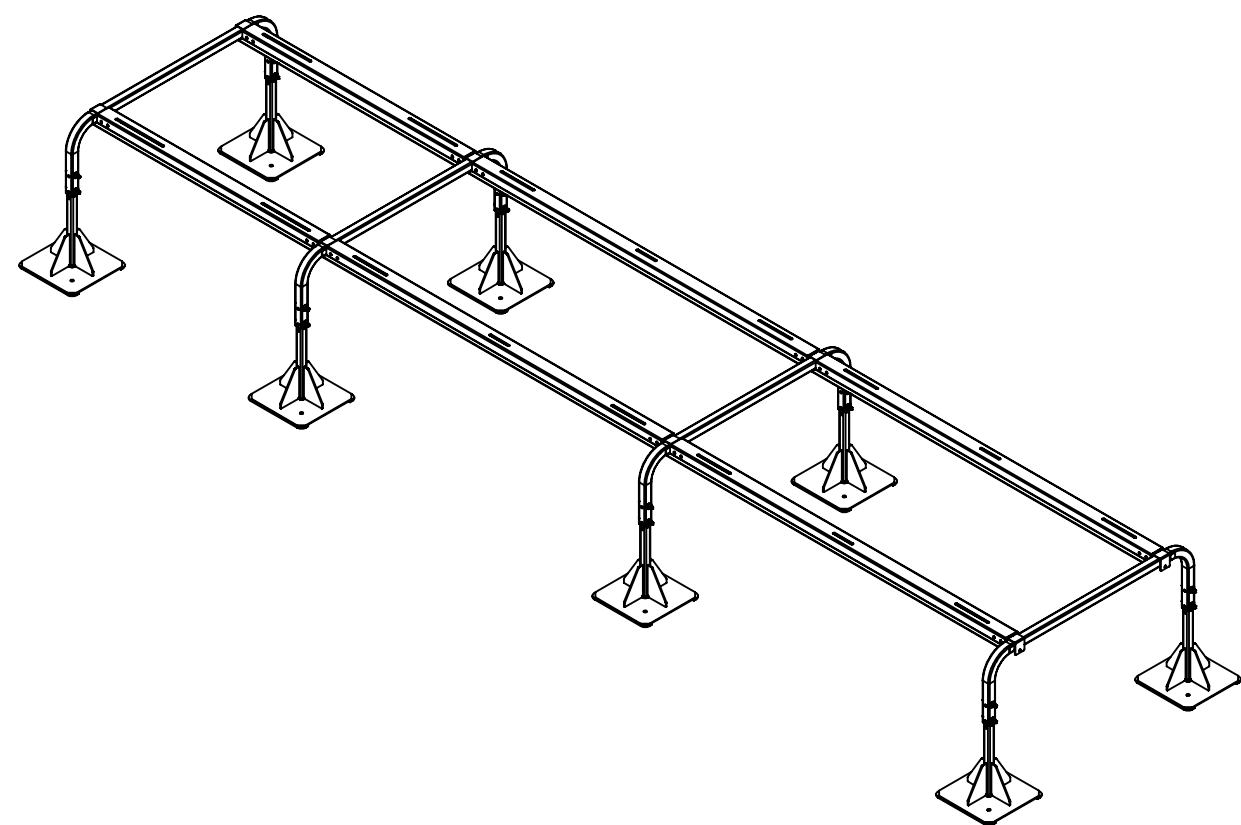
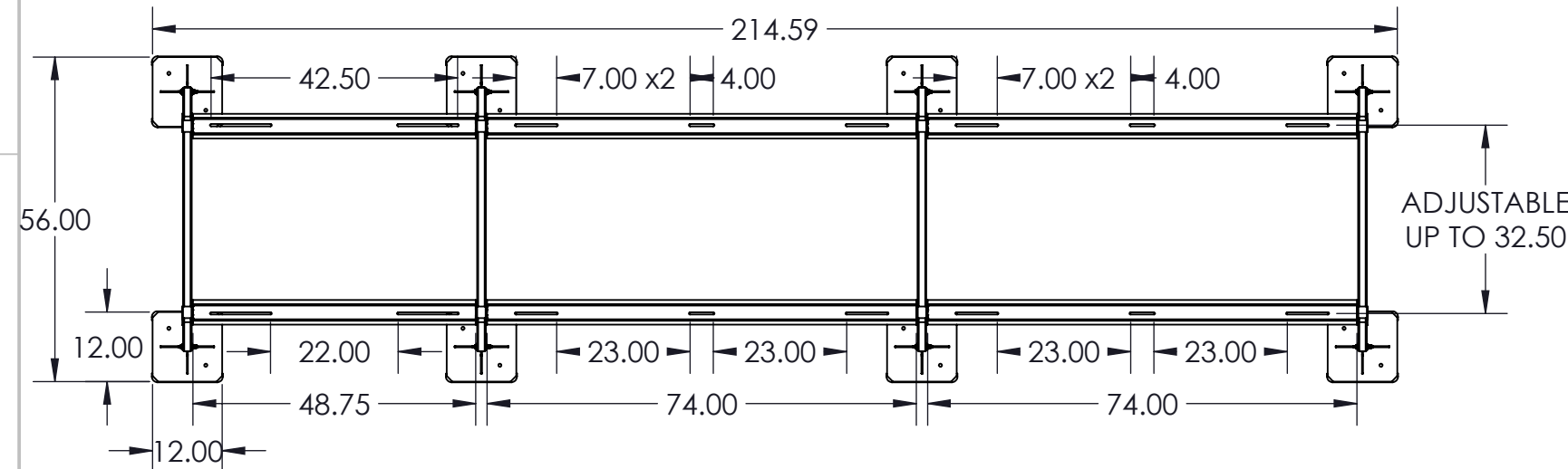


D

D

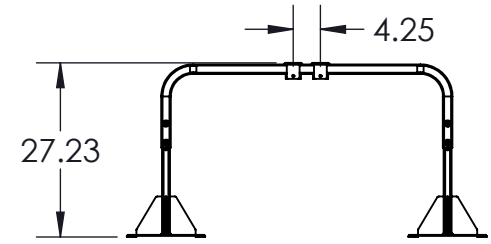


C

C

B

B



THIS UNIT CONSISTS OF:
(1) QSSB48-24
(2) QSSX74-24

A

A

ALL DRAWINGS AND WRITTEN MATERIAL CONTAINED HEREIN ARE THE PROPERTY OF DIVERSITECH CORP AND MAY NOT BE DUPLICATED OR DISCLOSED AT ANY TIME UNLESS APPROVED IN WRITING BY DIVERSITECH CORP INTERPRET THIS DRAWING IN ACCORDANCE WITH ASME Y14.5-2009 DIMENSIONING AND TOLERANCING STANDARDS	NOTES:	MATERIAL: SEE NOTES FINISH: SEE NOTES *DO NOT SCALE*			TITLE		SIZE
					Super Stand Base w/ 48" rails, two 74" ext, & 24" tall		B
			NAME	DATE	DRAWING NUMBER		REVISION
			DRAWN	AMP	13 Mar 19	QSSB(48)(74)(74)-24	
			ENG APPR.				
			MFG APPR.				
			SCALE: 1:2		WT. (lbs):	SHEET 1 OF 1	