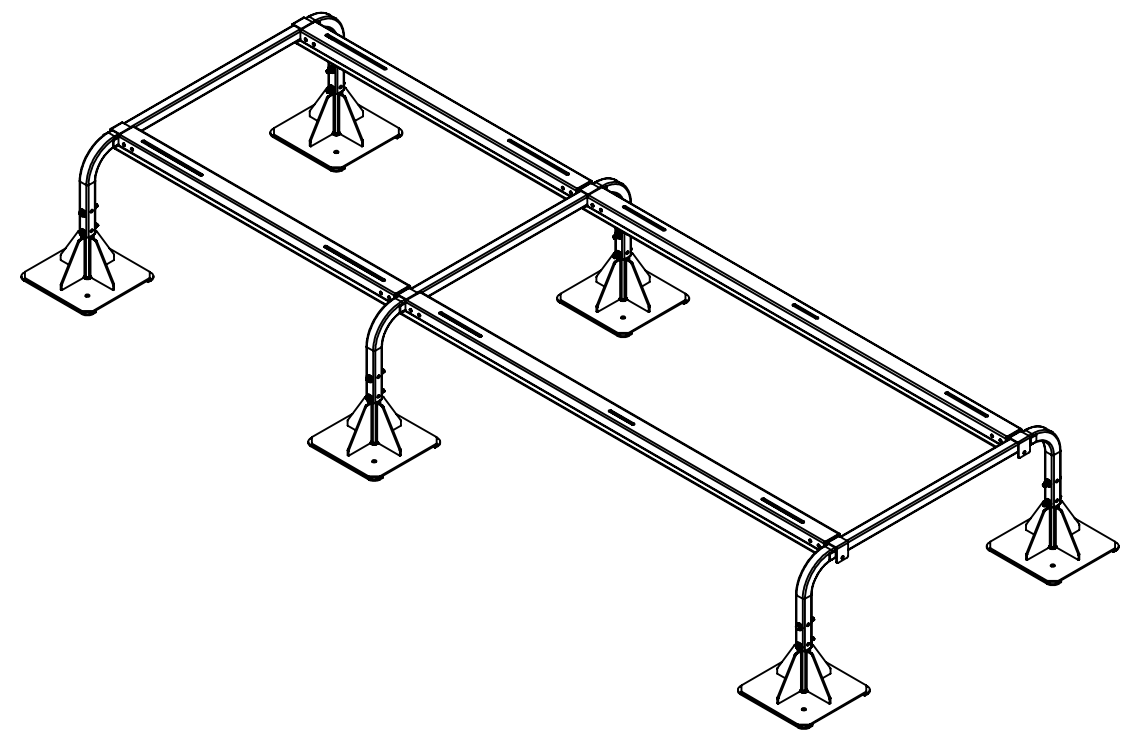
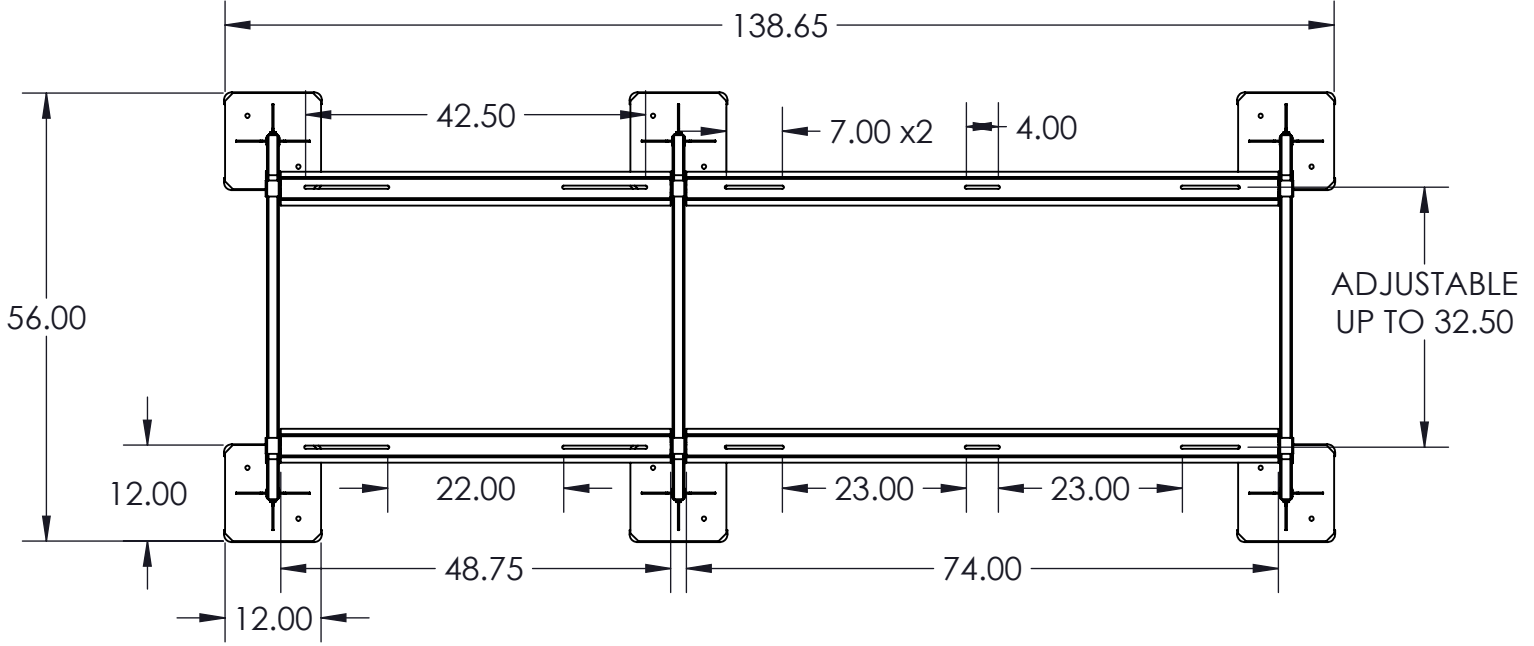


D

D

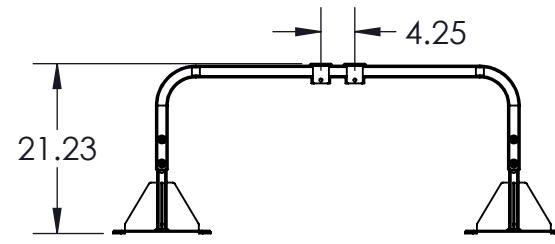
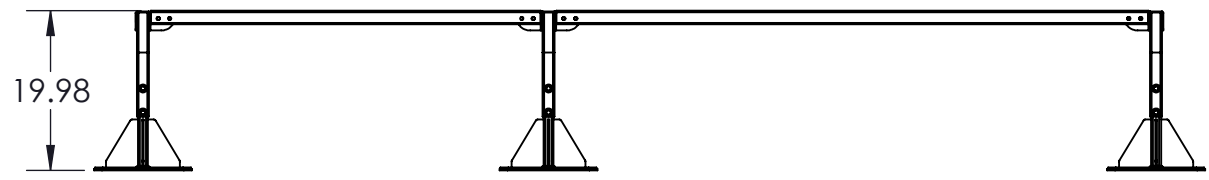


C

C

B

B



**THIS UNIT CONSISTS OF:**  
**(1) QSSB48-18**  
**(1) QSSX74-18**

A

A

ALL DRAWINGS AND WRITTEN MATERIAL CONTAINED HEREIN ARE THE PROPERTY OF DIVERSITECH CORP AND MAY NOT BE DUPLICATED OR DISCLOSED AT ANY TIME UNLESS APPROVED IN WRITING BY DIVERSITECH CORP  INTERPRET THIS DRAWING IN ACCORDANCE WITH ASME Y14.5-2009 DIMENSIONING AND TOLERANCING STANDARDS	<b>NOTES:</b>	MATERIAL: SEE NOTES FINISH: SEE NOTES *DO NOT SCALE*			TITLE		SIZE
					Super Stand Base w/ 48" rails, 74" ext, & 18" tall		<b>B</b>
			NAME	DATE	DRAWING NUMBER		REVISION
			DRAWN	AMP	07 Mar 19	<b>QSSB(48)(74)-18</b>	
			ENG APPR.				
			MFG APPR.			SCALE: 1:2	WT. (lbs):
						4	SHEET 1 OF 1