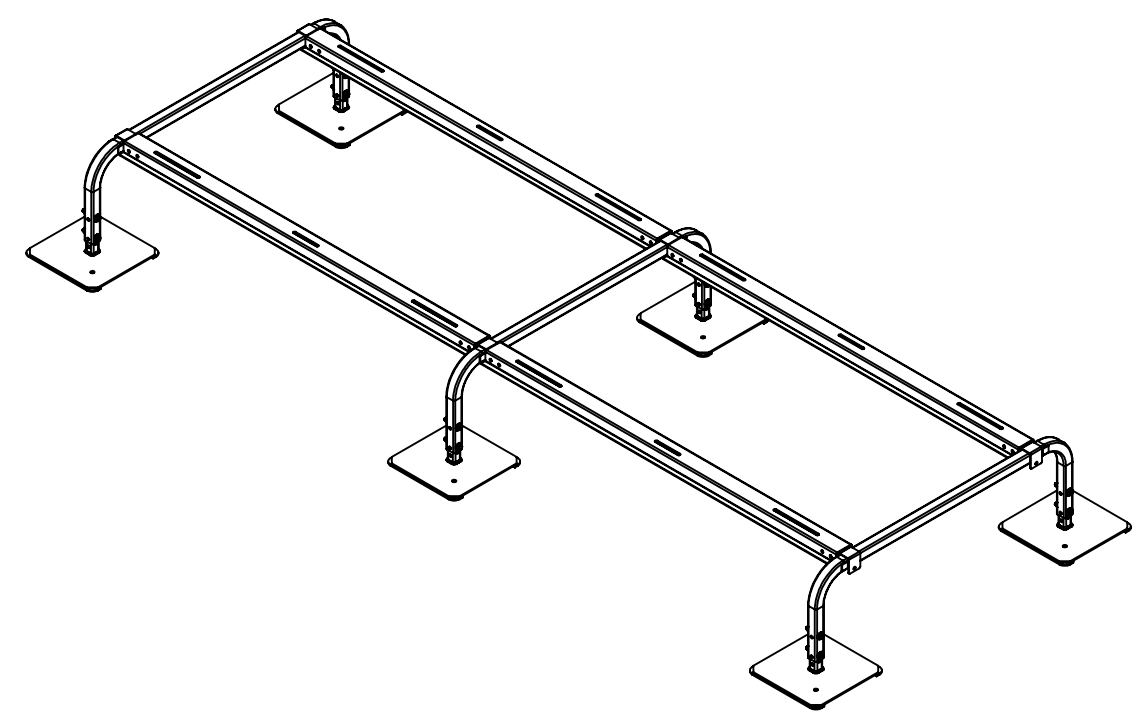
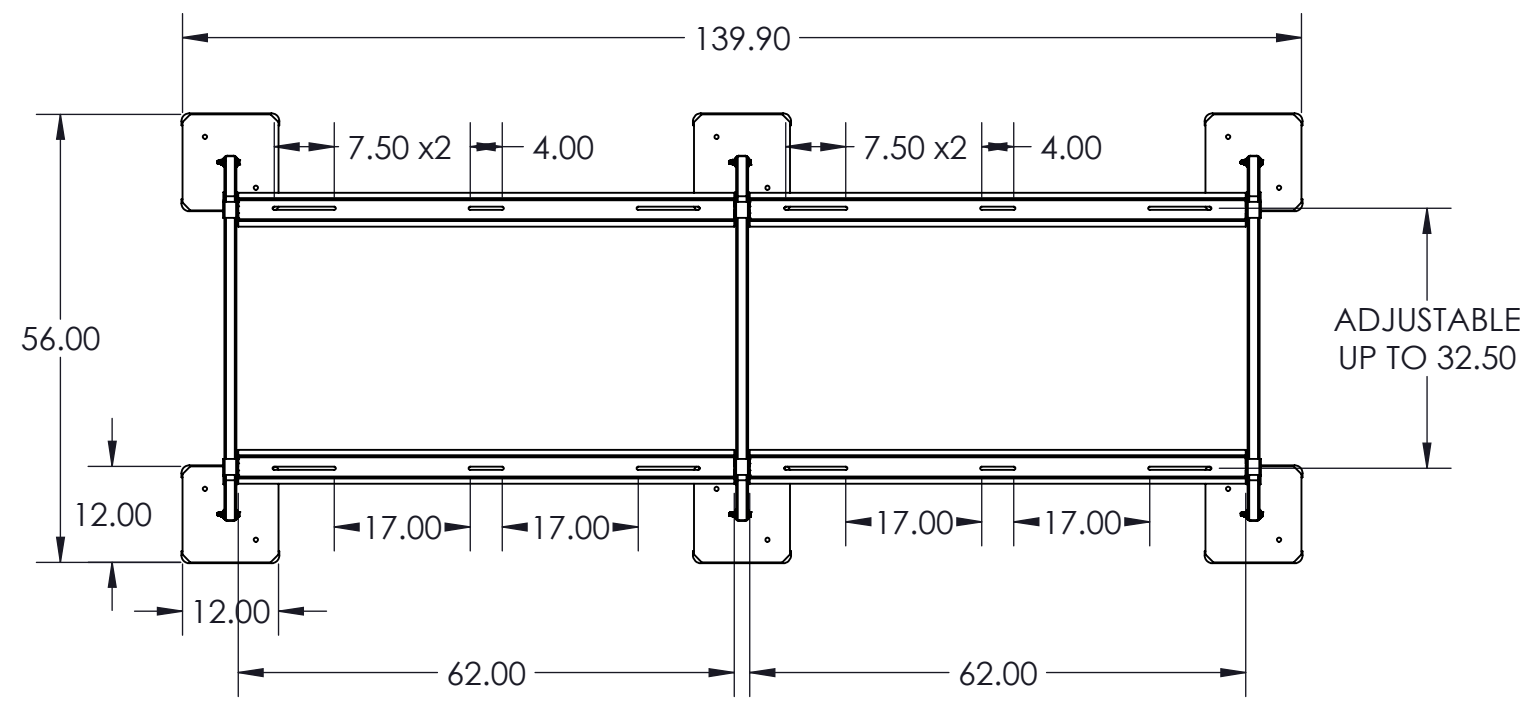


D

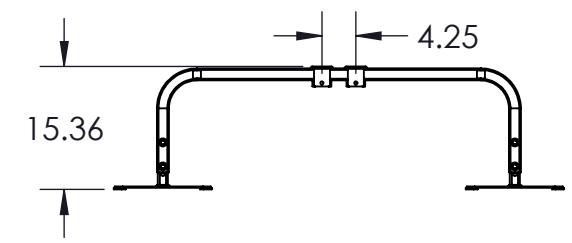
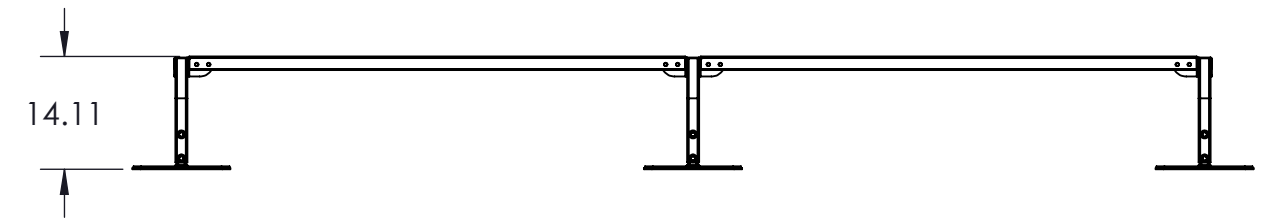


D

C

C

B



B

THIS UNIT CONSISTS OF:  
 (1) QSSB62-12  
 (1) QSSX62-12

A

A

ALL DRAWINGS AND WRITTEN MATERIAL CONTAINED HEREIN ARE THE PROPERTY OF DIVERSITECH CORP AND MAY NOT BE DUPLICATED OR DISCLOSED AT ANY TIME UNLESS APPROVED IN WRITING BY DIVERSITECH CORP

INTERPRET THIS DRAWING IN ACCORDANCE WITH ASME Y14.5-2009 DIMENSIONING AND TOLERANCING STANDARDS

NOTES:

MATERIAL: SEE NOTES  
 FINISH: SEE NOTES  
 \*DO NOT SCALE\*

THIRD ANGLE PROJECTION



TITLE			Super Stand Base w/ 62" rails, 62" ext, & 12" tall	SIZE	B
DRAWING NUMBER		QSSB(62)(62)-12		REVISION	
NAME	AMP	DATE	08 Mar 19	SCALE: 1:2	
DRWN				WT. (lbs):	SHEET 1 OF 1
ENG APPR.					
MFG APPR.					