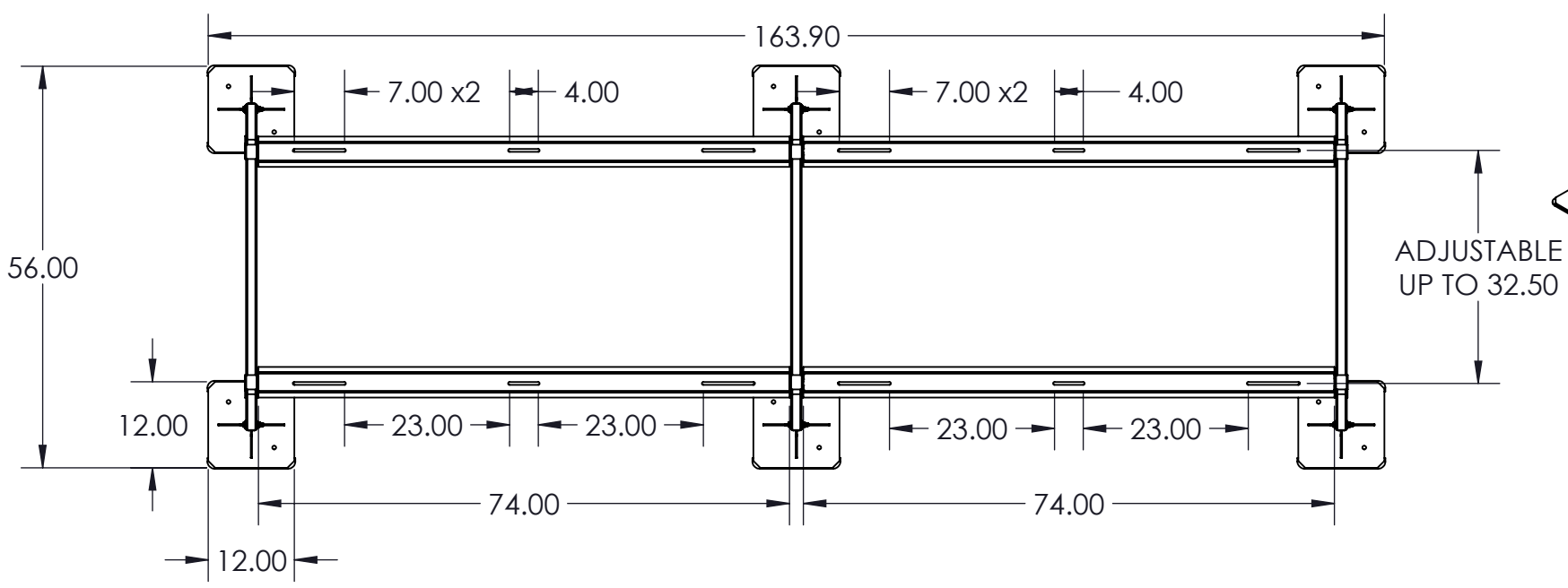
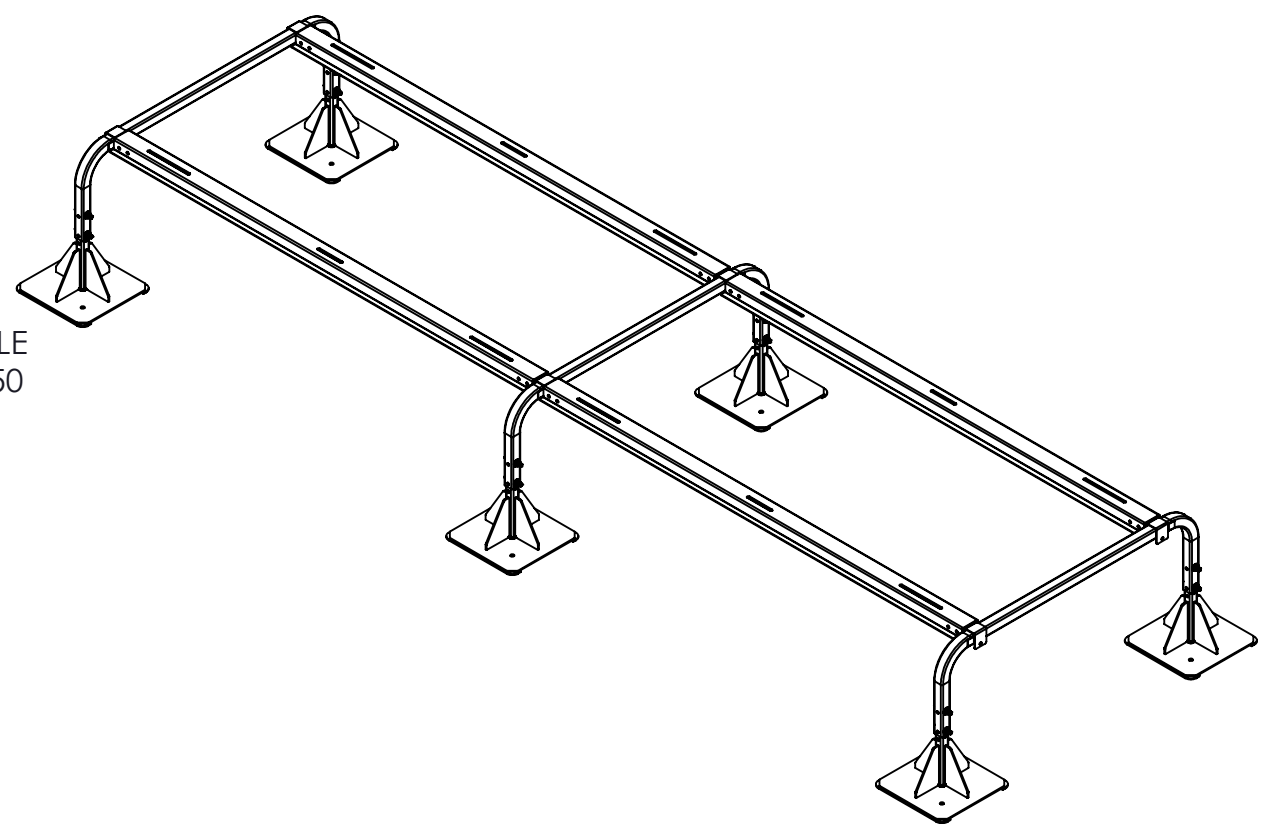


D



ADJUSTABLE UP TO 32.50

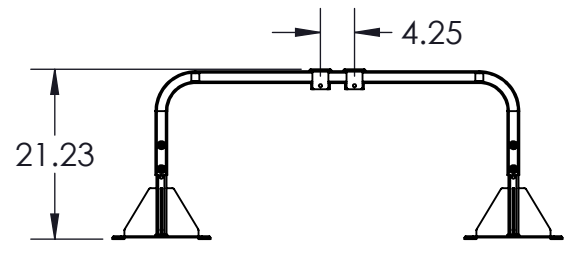
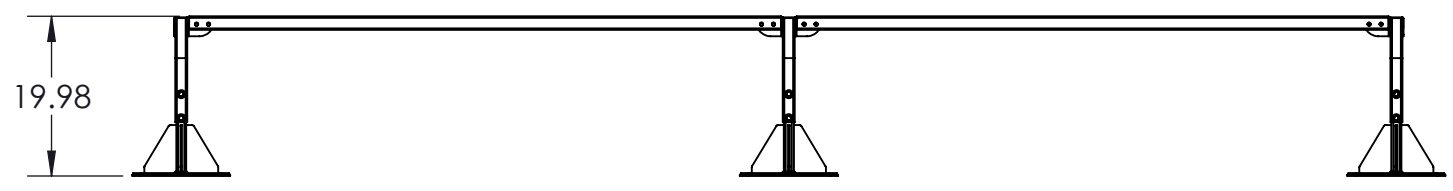


D

C

C

B



B

THIS UNIT CONSISTS OF:
 (1) QSSB74-18
 (1) QSSX74-18

A

A

ALL DRAWINGS AND WRITTEN MATERIAL CONTAINED HEREIN ARE THE PROPERTY OF DIVERSITECH CORP AND MAY NOT BE DUPLICATED OR DISCLOSED AT ANY TIME UNLESS APPROVED IN WRITING BY DIVERSITECH CORP INTERPRET THIS DRAWING IN ACCORDANCE WITH ASME Y14.5-2009 DIMENSIONING AND TOLERANCING STANDARDS	NOTES:	MATERIAL: SEE NOTES FINISH: SEE NOTES *DO NOT SCALE*			TITLE	SIZE
					Super Stand Base w/ 74" rails, 74" ext, & 18" tall	B
		THIRD ANGLE PROJECTION 	NAME	DATE	DRAWING NUMBER	REVISION
			DRAWN	AMP	07 Mar 19	QSSB(74)(74)-18
			ENG APPR.			
			MFG APPR.			
			SCALE: 1:2	WT. (lbs):		SHEET 1 OF 1