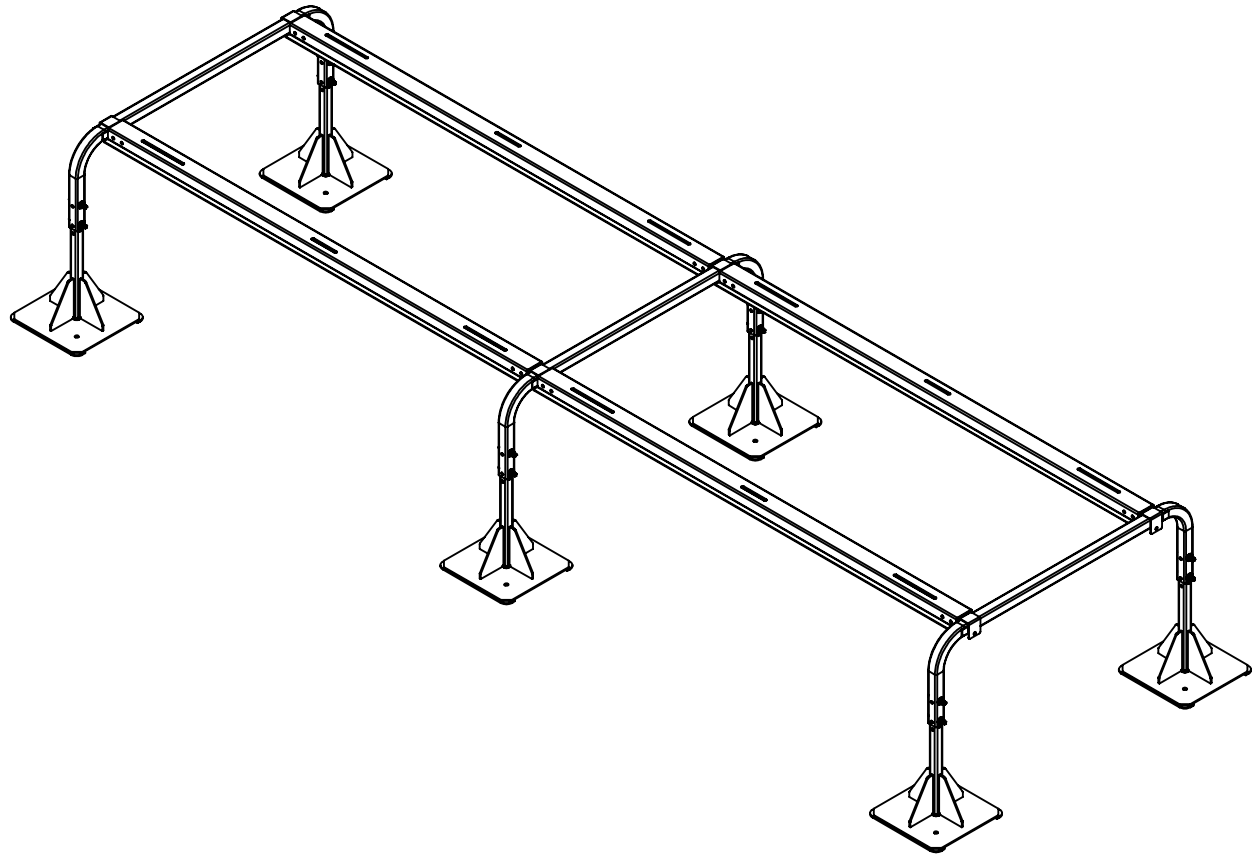
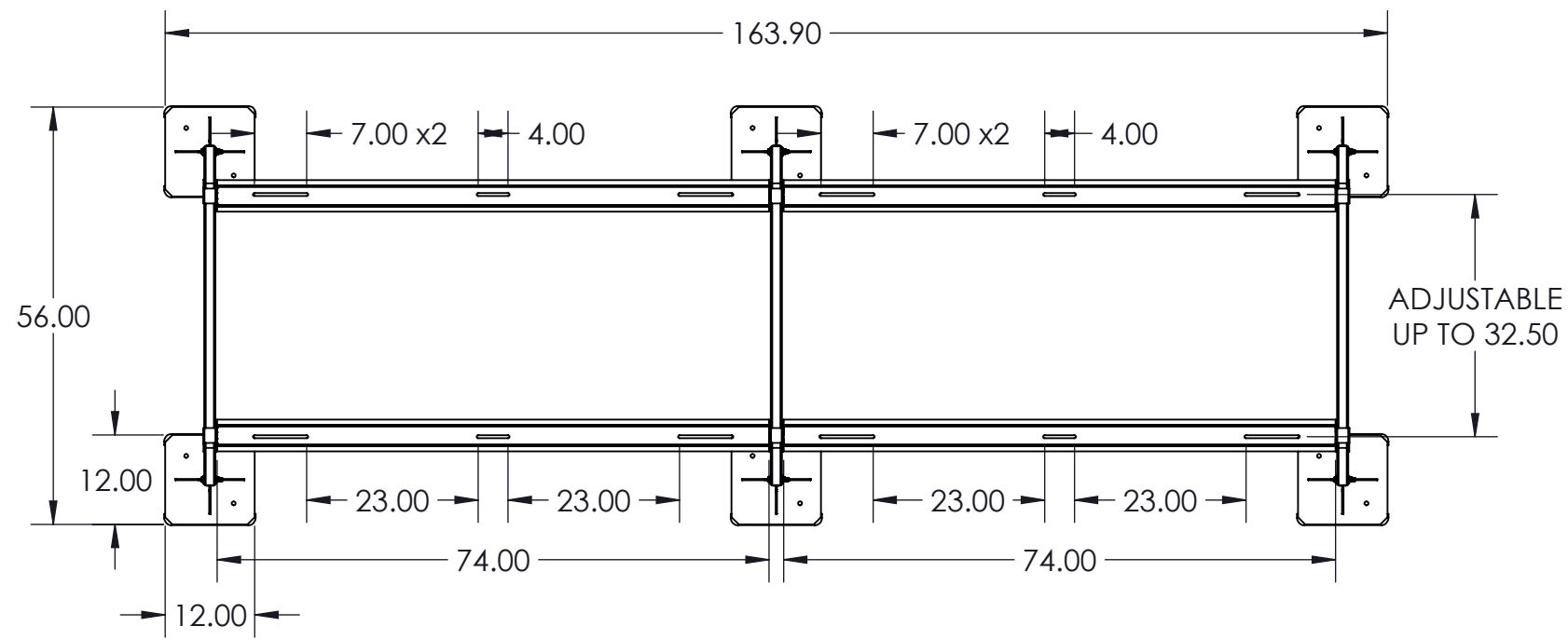


D

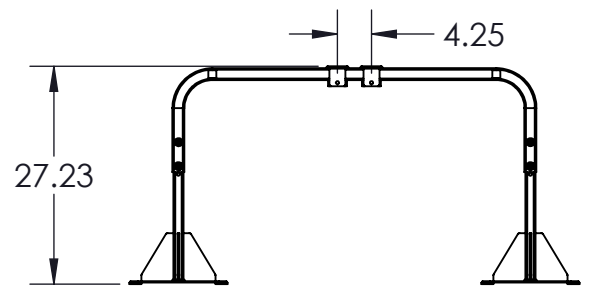
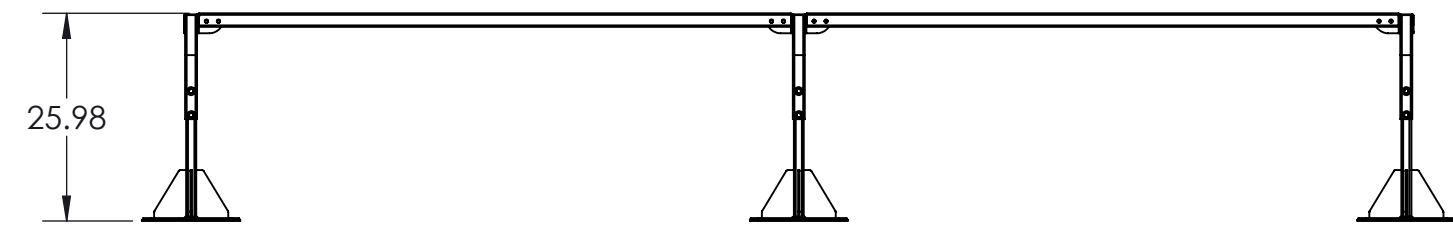


D

C

C

B



C

B

THIS UNIT CONSISTS OF:
 (1) QSSB74-24
 (1) QSSX74-24

A

A

ALL DRAWINGS AND WRITTEN MATERIAL CONTAINED HEREIN ARE THE PROPERTY OF DIVERSITECH CORP AND MAY NOT BE DUPLICATED OR DISCLOSED AT ANY TIME UNLESS APPROVED IN WRITING BY DIVERSITECH CORP INTERPRET THIS DRAWING IN ACCORDANCE WITH ASME Y14.5-2009 DIMENSIONING AND TOLERANCING STANDARDS	NOTES:	MATERIAL: SEE NOTES FINISH: SEE NOTES *DO NOT SCALE*			TITLE Super Stand Base w/ 74" rails, 74" ext, & 24" tall		SIZE B
					DRAWING NUMBER QSSB(74)(74)-24		REVISION
		THIRD ANGLE PROJECTION 	NAME AMP	DATE 07 Mar 19	SCALE: 1:2	WT. (lbs):	SHEET 1 OF 1