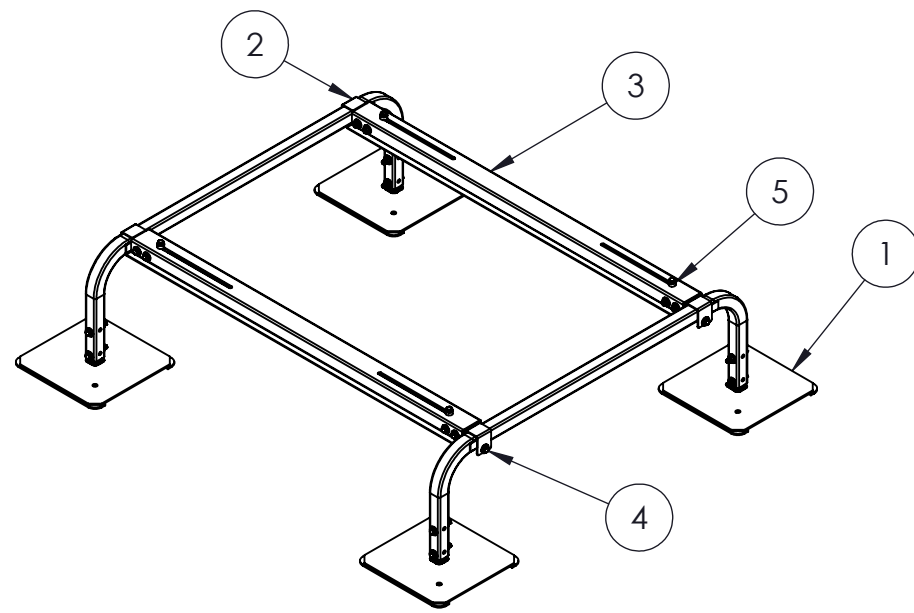
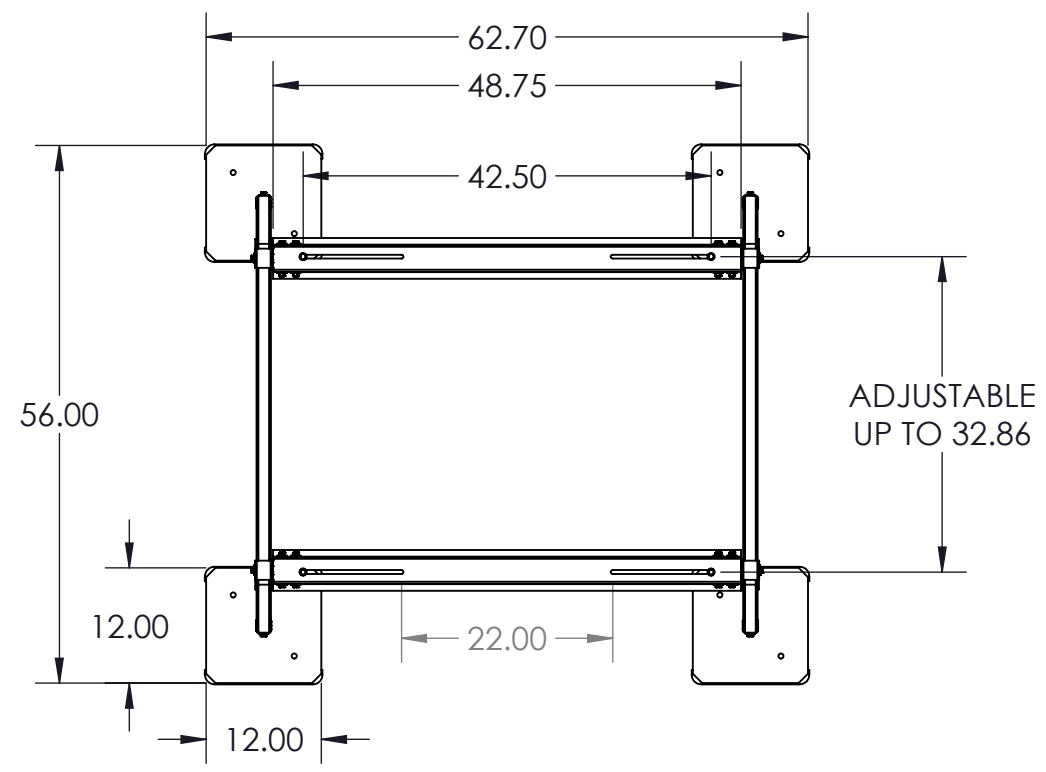


NOTES
 MATERIAL:
 COLOR: RAL 7047
 FINISH: Powder Coat
 OTHER NOTES: ~

ITEM NO.	PART NUMBER	DESCRIPTION	SW/QTY.
1	QSSB200-12	New Super Stand U-leg 12"	2
2	SS201	Single Side Saddle	4
3	SS248	48" Rail w/ long slots	2
4	HDKSB01	Hardware kit for QSSB200	1
5	HDKSB03	Hardware kit for QSSB248	1

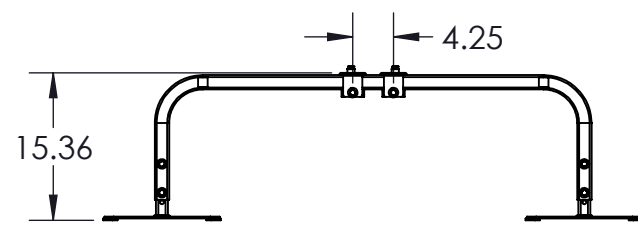


C

C

B

B



THIS UNIT CONSISTS OF:
(1) QSSB2000-12
(1) QSSB248

A

A

ALL DRAWINGS AND WRITTEN MATERIAL CONTAINED HEREIN ARE THE PROPERTY OF DIVERSITECH CORP AND MAY NOT BE DUPLICATED OR DISCLOSED AT ANY TIME UNLESS APPROVED IN WRITING BY DIVERSITECH CORP INTERPRET THIS DRAWING IN ACCORDANCE WITH ASME Y14.5-2009 DIMENSIONING AND TOLERANCING STANDARDS	NOTES: UNLESS OTHERWISE SPECIFIED DIMENSIONS & TOLERANCES ARE IN INCHES / [mm] ANG. MACH. ±0.25° ANG. BEND ±1° DECIMALS INCHES [mm] X ±0.1 ±2 X.X ±0.05 ±0.1 X.XX ±0.005 ±0.02 X.XXX ±0.002 ±N/A	MATERIAL: SEE NOTES FINISH: SEE NOTES *DO NOT SCALE* THIRD ANGLE PROJECTION	TITLE Super Stand Base w/ 48" rails & 12" Feet		SIZE B	
				NAME AMP	DATE 26 Dec 18	DRAWING NUMBER QSSB48-12
			DRAWN	MFG APPR.	SCALE: 1:2 WT. (lbs): 0	SHEET 1 OF 1