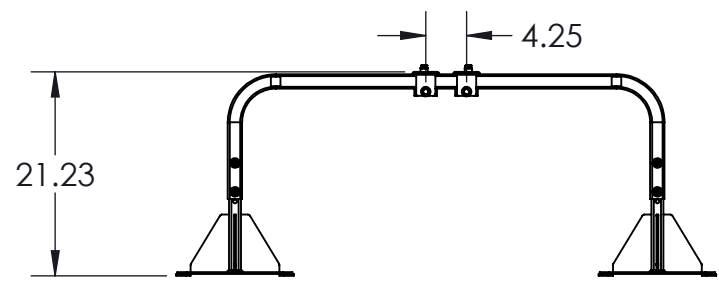
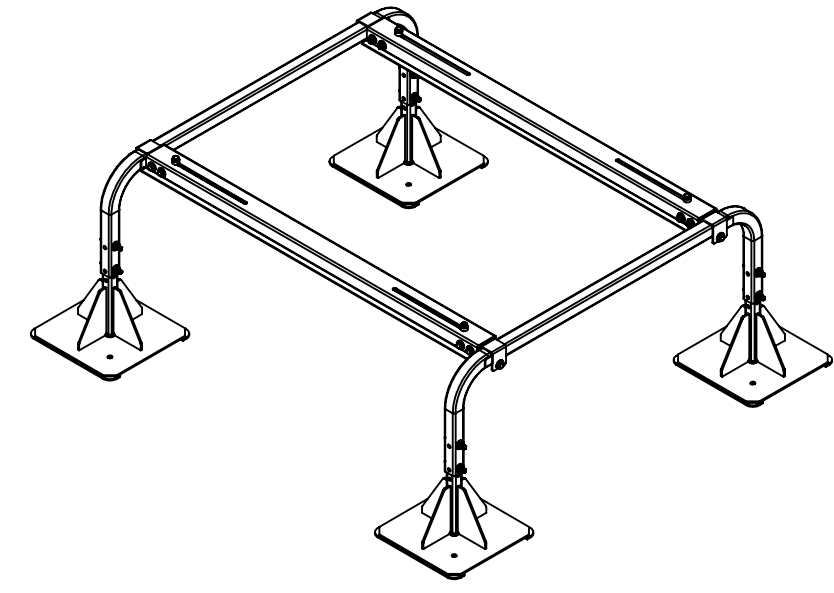
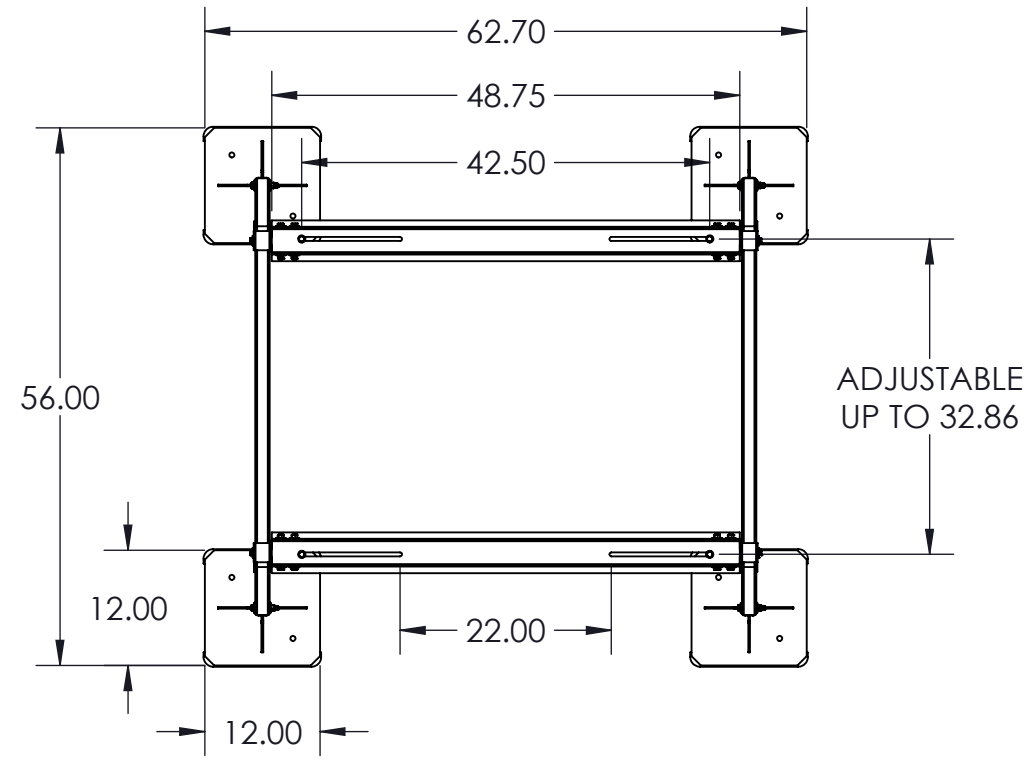


NOTES
 MATERIAL:
 COLOR: RAL 7047
 FINISH: Powder Coat
 OTHER NOTES: ~



THIS UNIT CONSISTS OF:
(1) QSSB2000-18
(1) QSSB248

ALL DRAWINGS AND WRITTEN MATERIAL CONTAINED HEREIN ARE THE PROPERTY OF DIVERSITECH CORP AND MAY NOT BE DUPLICATED OR DISCLOSED AT ANY TIME UNLESS APPROVED IN WRITING BY DIVERSITECH CORP INTERPRET THIS DRAWING IN ACCORDANCE WITH ASME Y14.5-2009 DIMENSIONING AND TOLERANCING STANDARDS	UNLESS OTHERWISE SPECIFIED DIMENSIONS & TOLERANCES ARE IN INCHES / [mm]			MATERIAL: SEE NOTES FINISH: SEE NOTES *DO NOT SCALE*			TITLE		SIZE
	ANG. MACH. ±0.25° ANG. BEND ±1°		Super Stand Base w/ 48" rails & 18" Feet				B		
	DECIMALS INCHES [mm]		THIRD ANGLE PROJECTION		DRAWN NAME DATE	DRAWING NUMBER REVISION			
	X ±0.1 ±2 X.X ±0.05 ±0.1 X.XX ±0.005 ±0.02 X.XXX ±0.002 ±N/A				AMP 12 Feb 19	QSSB48-18 -01		SCALE: 1:2 WT. (lbs): SHEET 1 OF 1	