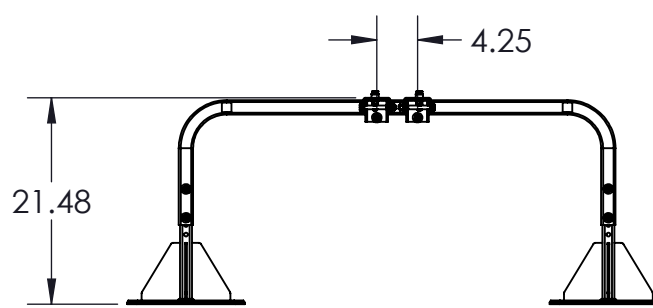
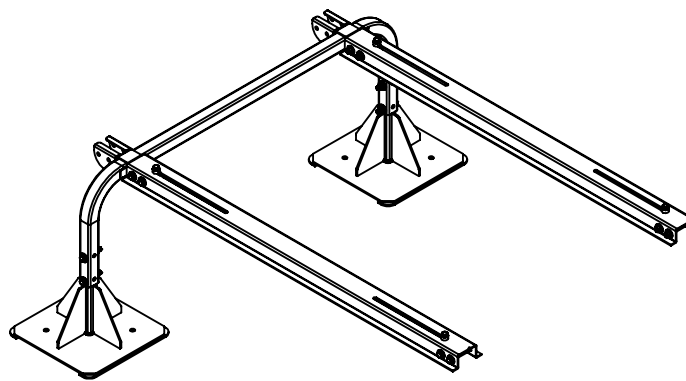
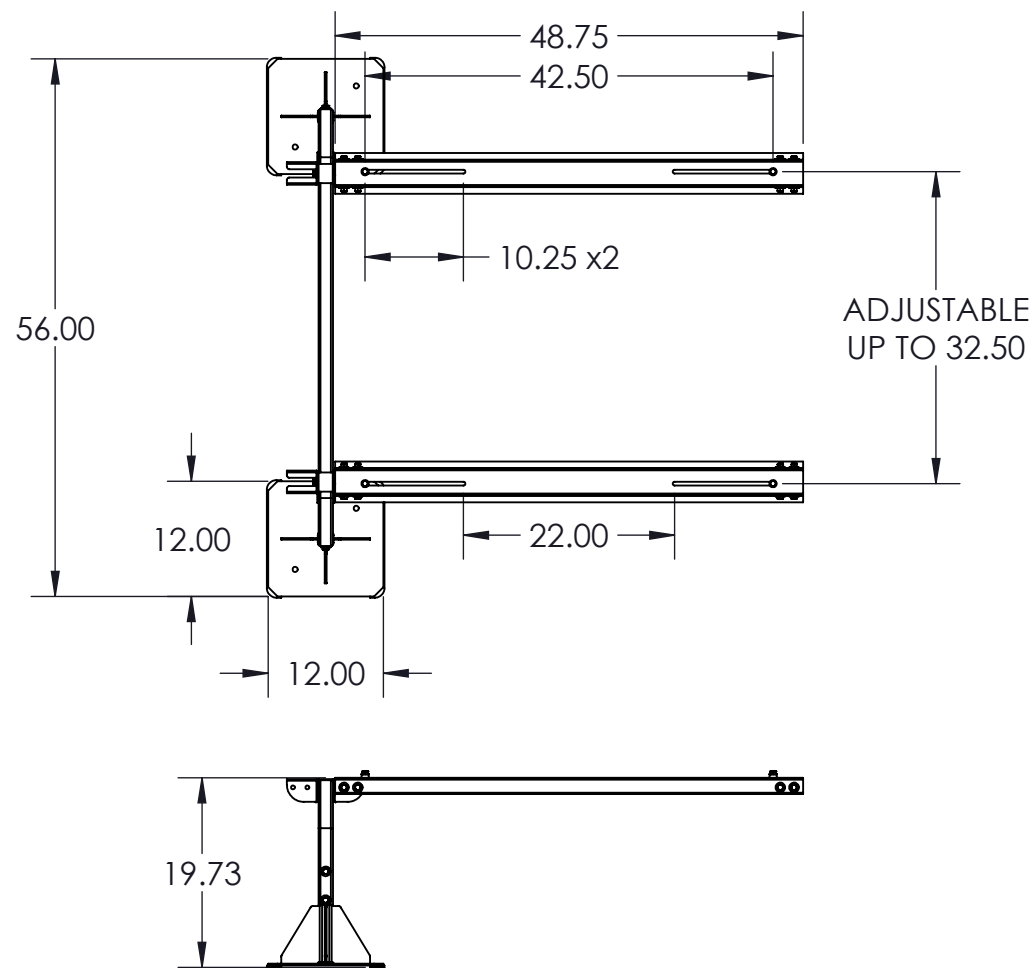


NOTES

MATERIAL:
 COLOR: RAL 7047
 FINISH: Powder Coat
 OTHER NOTES: ~



THIS UNIT CONSISTS OF:
(1) QSSX2000-18
(1) QSSB248

ALL DRAWINGS AND WRITTEN MATERIAL CONTAINED HEREIN ARE THE PROPERTY OF DIVERSITECH CORP AND MAY NOT BE DUPLICATED OR DISCLOSED AT ANY TIME UNLESS APPROVED IN WRITING BY DIVERSITECH CORP INTERPRET THIS DRAWING IN ACCORDANCE WITH ASME Y14.5-2009 DIMENSIONING AND TOLERANCING STANDARDS	UNLESS OTHERWISE SPECIFIED DIMENSIONS & TOLERANCES ARE IN INCHES / [mm]			MATERIAL: SEE NOTES FINISH: SEE NOTES *DO NOT SCALE*			TITLE Super Stand Ext w/ 48" rails & 12" Feet		SIZE B
	ANG. MACH. DECIMALS	ANG. BEND INCHES	±0.25° ±1° [mm]		THIRD ANGLE PROJECTION 	NAME AMP	DATE 13 Feb 19	DRAWING NUMBER QSSX48-18	
	X X.X X.XX X.XXX	±0.1 ±0.05 ±0.005 ±0.002	±2 ±0.1 ±0.02 ±N/A	DRAWN ENG APPR. MFG APPR.		SCALE: 1:2 0	WT. (lbs):	SHEET 1 OF 1	
	SCALE: 1:2 0								