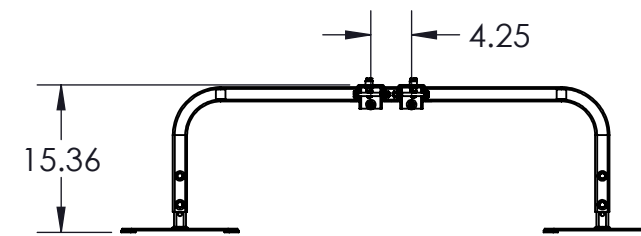
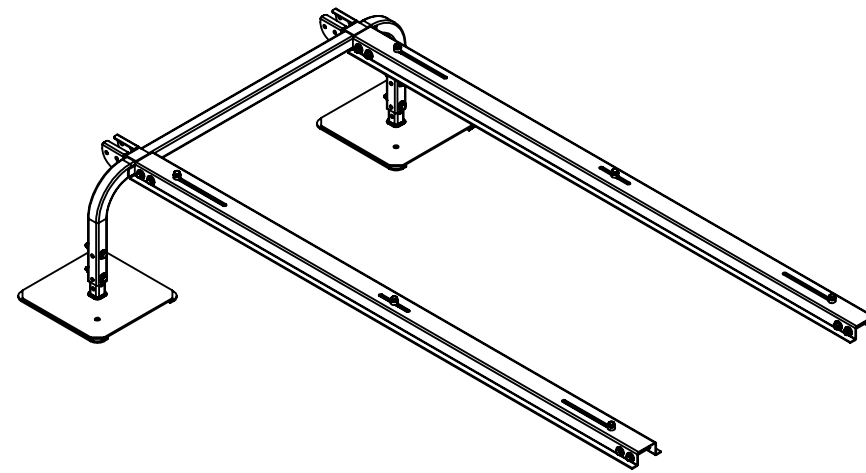
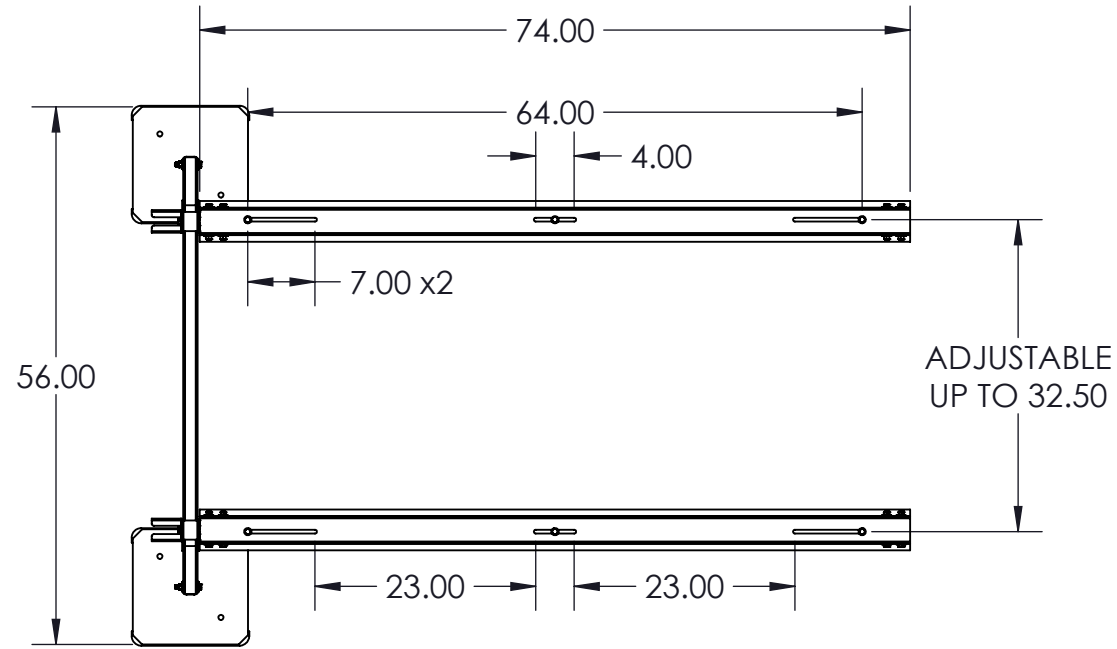


NOTES

MATERIAL:
 COLOR: RAL 7047
 FINISH: Powder Coat
 OTHER NOTES: ~



THIS UNIT CONSISTS OF:
(1) QSSX2000-12
(1) QSSB274

ALL DRAWINGS AND WRITTEN MATERIAL CONTAINED HEREIN ARE THE PROPERTY OF DIVERSITECH CORP AND MAY NOT BE DUPLICATED OR DISCLOSED AT ANY TIME UNLESS APPROVED IN WRITING BY DIVERSITECH CORP INTERPRET THIS DRAWING IN ACCORDANCE WITH ASME Y14.5-2009 DIMENSIONING AND TOLERANCING STANDARDS	UNLESS OTHERWISE SPECIFIED DIMENSIONS & TOLERANCES ARE IN INCHES / [mm]			MATERIAL: SEE NOTES FINISH: SEE NOTES *DO NOT SCALE*			TITLE Super Stand Ext w/ 74" rails & 12" Feet		SIZE B
	ANG. MACH. DECIMALS	ANG. BEND INCHES [mm]	±0.25° ±1° ±0.1 ±0.05 ±0.005 ±0.002				±2 ±0.1 ±0.02 ±N/A	DRAWING NUMBER QSSX74-12	
	THIRD ANGLE PROJECTION 				NAME AMP	DATE 14 Feb 19	SCALE: 1:2 WT. (lbs):		SHEET 1 OF 1
					DRAWN				