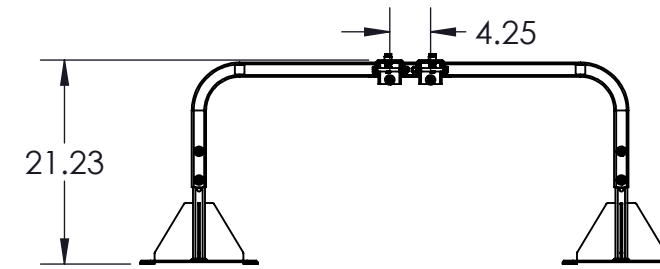
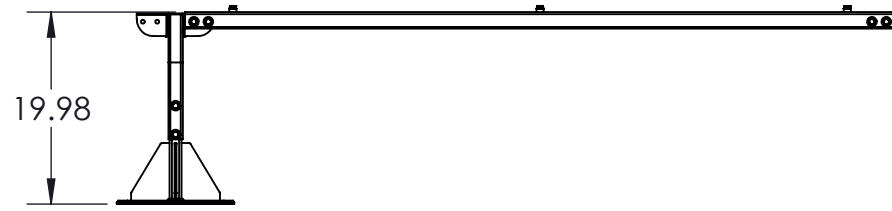
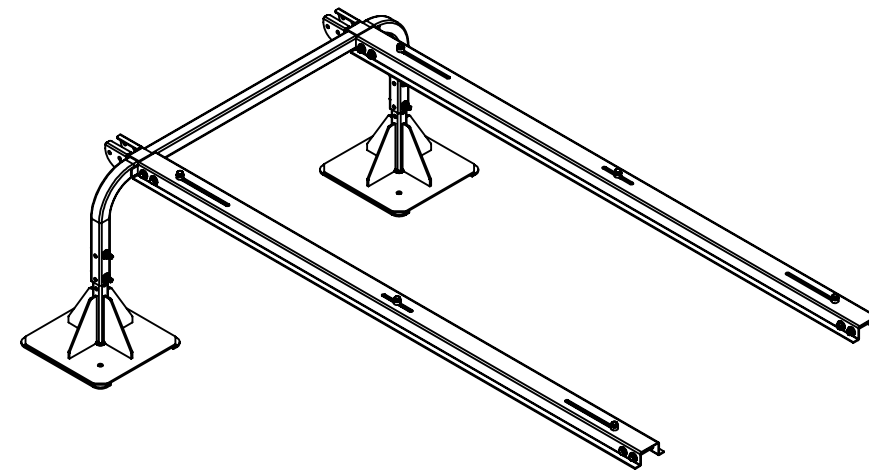
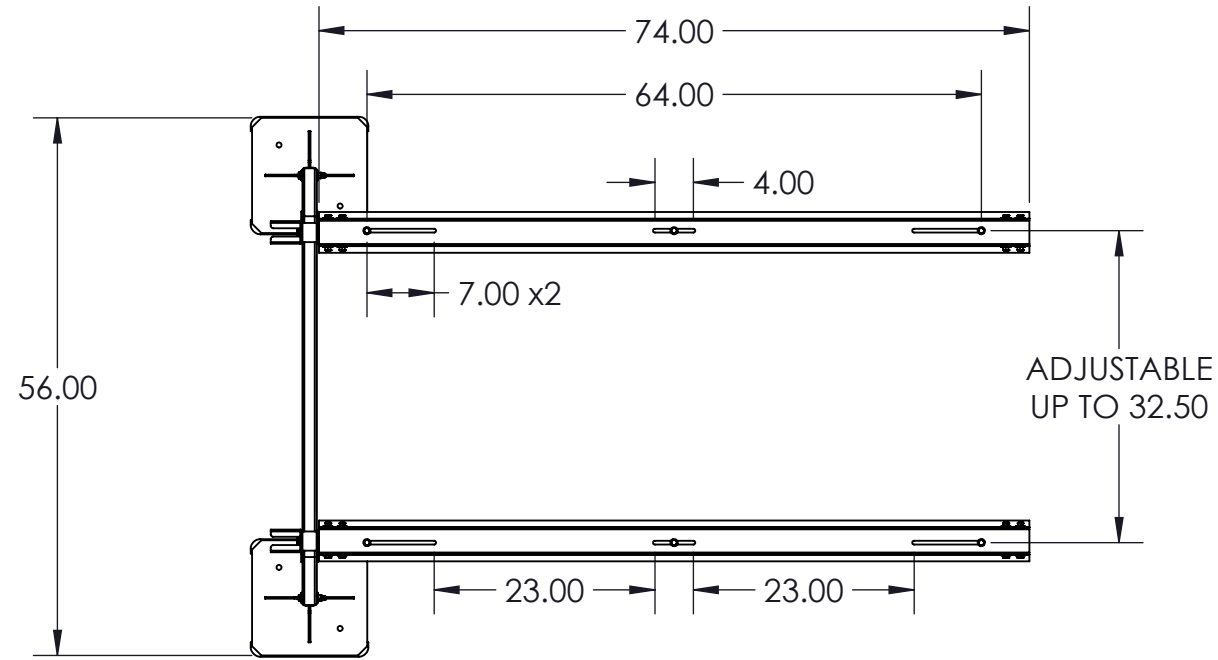


**NOTES**

MATERIAL:  
 COLOR: RAL 7047  
 FINISH: Powder Coat  
 OTHER NOTES: ~



**THIS UNIT CONSISTS OF:**  
**(1) QSSX2000-18**  
**(1) QSSB274**

ALL DRAWINGS AND WRITTEN MATERIAL CONTAINED HEREIN ARE THE PROPERTY OF DIVERSITECH CORP AND MAY NOT BE DUPLICATED OR DISCLOSED AT ANY TIME UNLESS APPROVED IN WRITING BY DIVERSITECH CORP  INTERPRET THIS DRAWING IN ACCORDANCE WITH ASME Y14.5-2009 DIMENSIONING AND TOLERANCING STANDARDS	UNLESS OTHERWISE SPECIFIED DIMENSIONS & TOLERANCES ARE IN <b>INCHES / [mm]</b>			MATERIAL: SEE NOTES FINISH: SEE NOTES *DO NOT SCALE*			TITLE Super Stand Ext w/ 74" rails & 18" Feet		SIZE <b>B</b>	
	ANG. MACH. DECIMALS	ANG. BEND INCHES	±0.25° ±1° [mm]				DRAWING NUMBER <b>QSSX74-18</b>		REVISION <b>-01</b>	
	X X.X X.XX X.XXX	±0.1 ±0.05 ±0.005 ±0.002	±2 ±0.1 ±0.02 ±N/A	THIRD ANGLE PROJECTION 		NAME AMP	DATE 14 Feb 19	SCALE: 1:2 0	WT. (lbs):	SHEET 1 OF 1
					DRAWN	MFG APPR.				