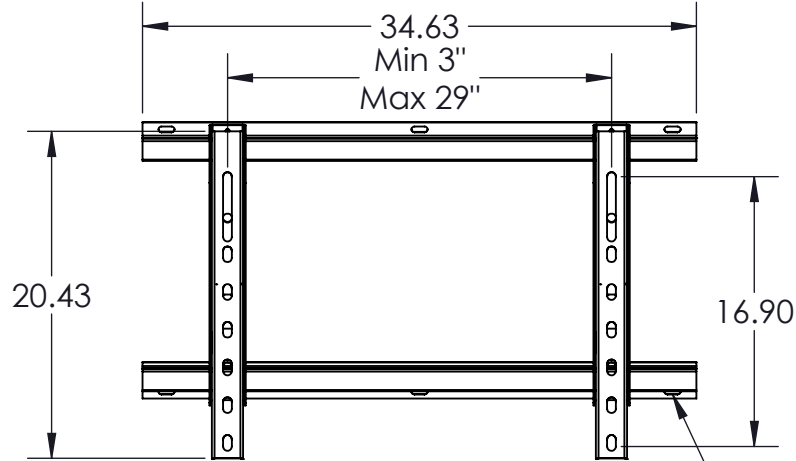
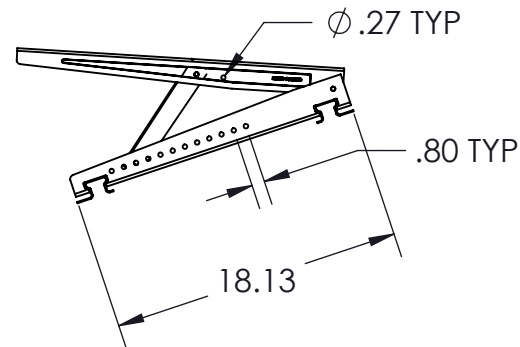
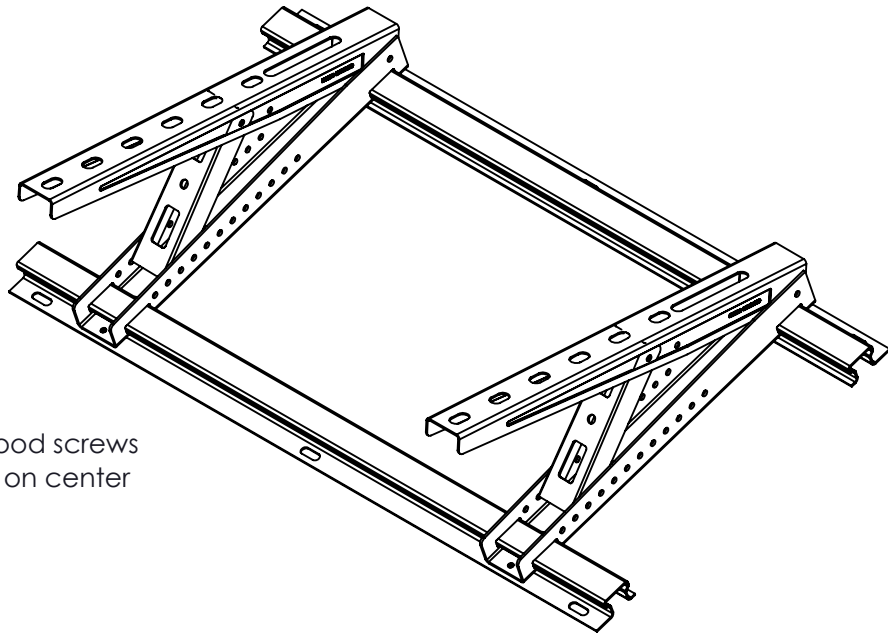


2

1



Holes for wood screws  
12\" and 16\" on center



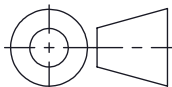
ALL DRAWINGS AND WRITTEN MATERIAL CONTAINED HEREIN ARE THE PROPERTY OF DIVERSITECH CORP AND MAY NOT BE DUPLICATED OR DISCLOSED AT ANY TIME UNLESS APPROVED IN WRITING BY DIVERSITECH CORP

**NOTES:**

MATERIAL: SEE NOTES  
FINISH: SEE NOTES

\*DO NOT SCALE\*

THIRD ANGLE PROJECTION



TITLE

SIZE

Pitched Roof Stand

**A**

DRAWING NUMBER

REVISION

**QSPR1000**

DRAWN

NAME

DATE

apadilla

8/20/2019

ENG APPR.

MFG APPR.

SCALE: 1:12

WT. (lbs):

SHEET 1 OF 2

20.43

16.90

18.13

$\phi$  .27 TYP

.80 TYP

B

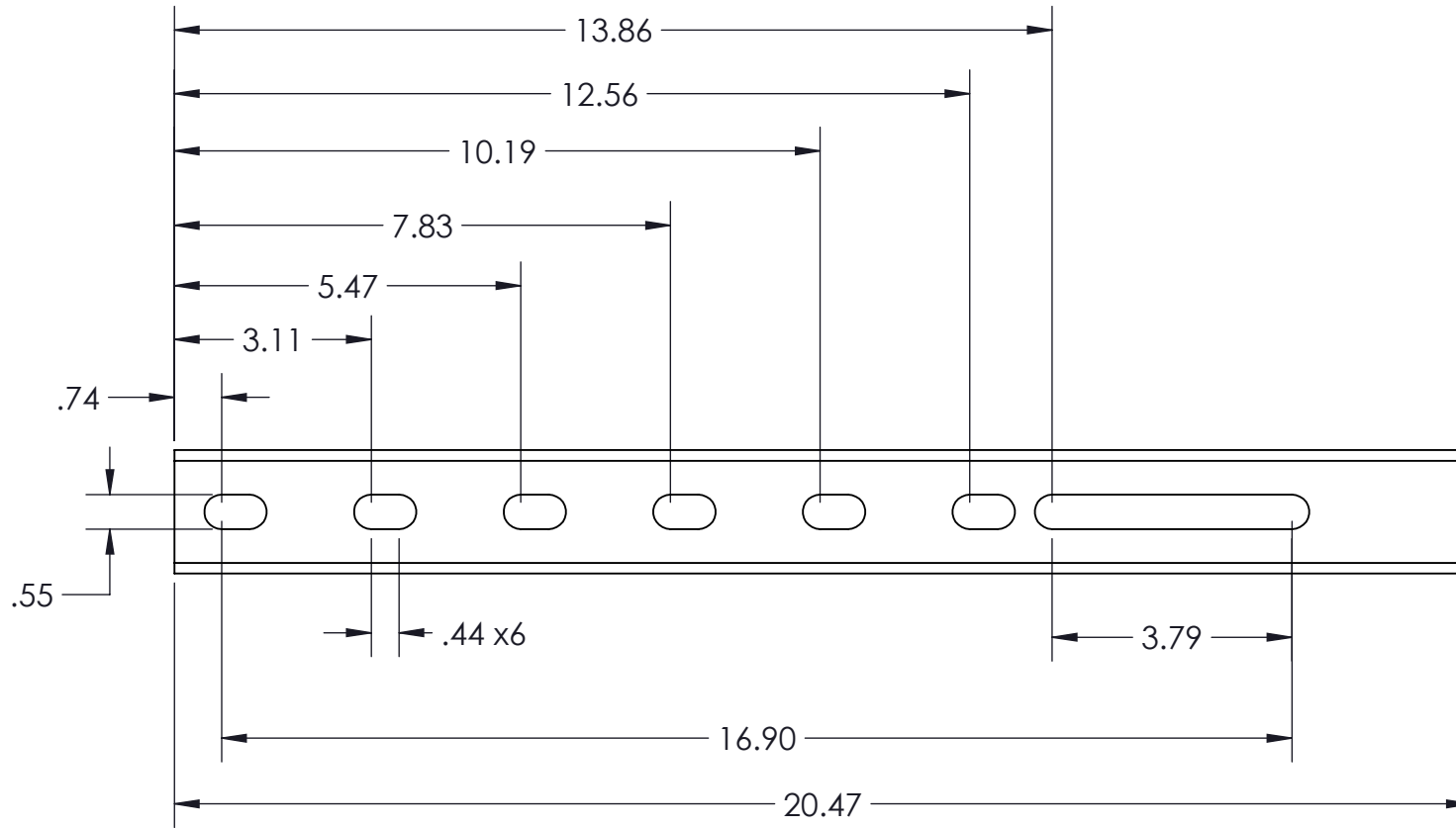
B

A

A

2

1



ALL DRAWINGS AND WRITTEN MATERIAL CONTAINED HEREIN ARE THE PROPERTY OF DIVERSITECH CORP AND MAY NOT BE DUPLICATED OR DISCLOSED AT ANY TIME UNLESS APPROVED IN WRITING BY DIVERSITECH CORP

INTERPRET THIS DRAWING IN ACCORDANCE WITH ASME Y14.5-2009 AND ASME Y14.5M-2009 DIMENSIONING AND TOLERANCING STANDARDS

DEBURR ALL SHARP EDGES  
\*DO NOT SCALE\*



THIRD ANGLE PROJECTION



			TITLE		SIZE
			Pitched Roof Stand		<b>A</b>
		NAME	DATE	DRAWING NUMBER	REVISION
DRAWN BY	apadilla	8/20/2019	<b>QSPR1000</b>		
CAD APPR.			SCALE: 1:12		SHEET 2 OF 2
DWG APPR.					