

6

5

4

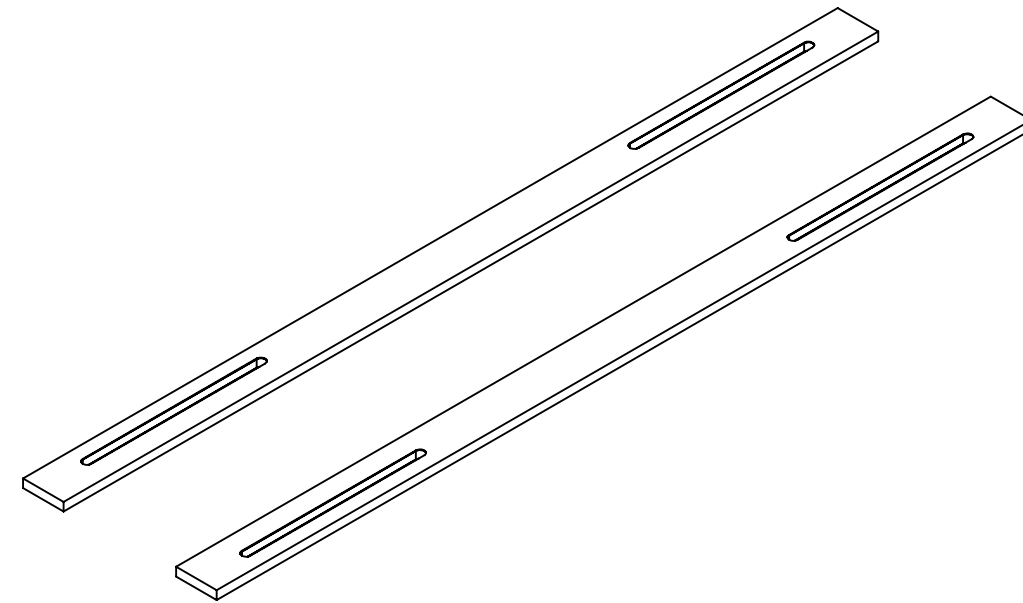
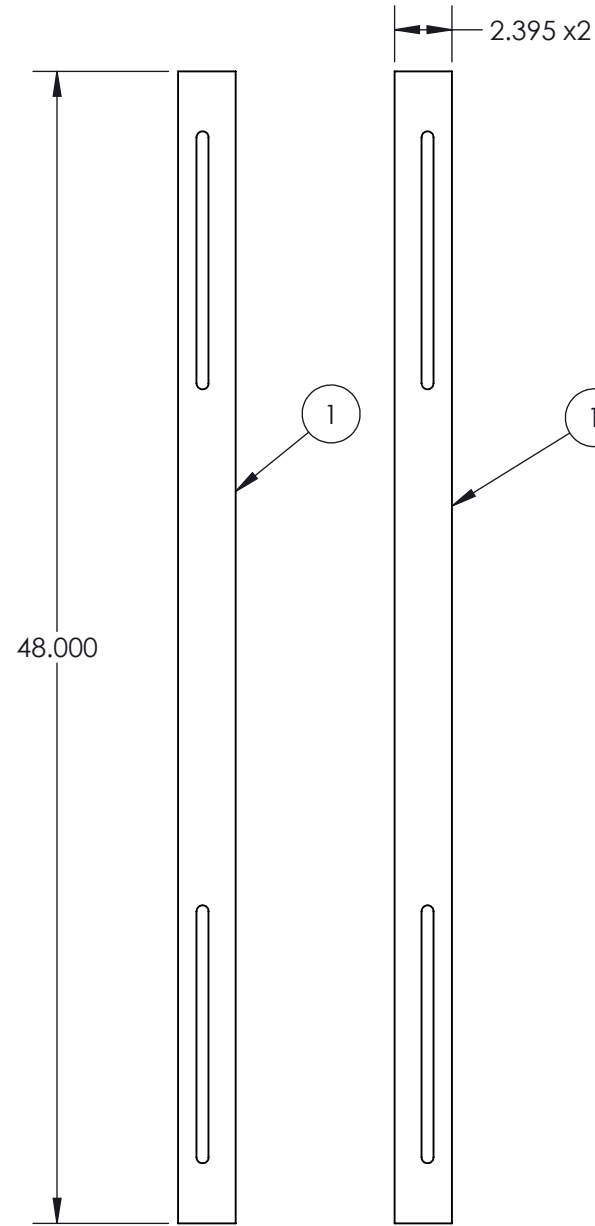
3

2

1

REVISIONS				
REV.	DESCRIPTION	DRAWN BY	APPR BY	APPR DATE

***ALL DIMENSIONS SHOWN ARE FINAL DIMENSIONS POST DIP**



ITEM NO.	PART NUMBER	DESCRIPTION	QTY.
1	AC520	VIBRATION ISOLATION KIP-RT FOR SS248	2

ALL DRAWINGS AND WRITTEN MATERIAL CONTAINED HEREIN ARE THE PROPERTY OF DIVERSITECH CORP AND MAY NOT BE DUPLICATED OR DISCLOSED AT ANY TIME UNLESS APPROVED IN WRITING BY DIVERSITECH CORP INTERPRET THIS DRAWING IN ACCORDANCE WITH ASME Y14.5-2009 DIMENSIONING AND TOLERANCING STANDARDS	UNLESS OTHERWISE SPECIFIED DIMENSIONS & TOLERANCES ARE IN INCHES		DEBURR ALL SHARP EDGES *DO NOT SCALE* THIRD ANGLE PROJECTION			TITLE		SIZE
	DIM RANGE	TOLERANCE				KIP-RT Kinetics Noise Control		B
				0.02 - 0.12	±0.008	DRAWING NUMBER		REVISION
	0.12 - 0.24	±0.012		QSAC5200				
0.24 - 1.18	±0.020	SCALE: 1:1		SHEET 1 OF 2				
1.18 - 4.72	±0.031							
4.72 - 15.75	±0.047							
15.75 - 39.4	±0.079							
39.4 +	±0.118							

6

5

4

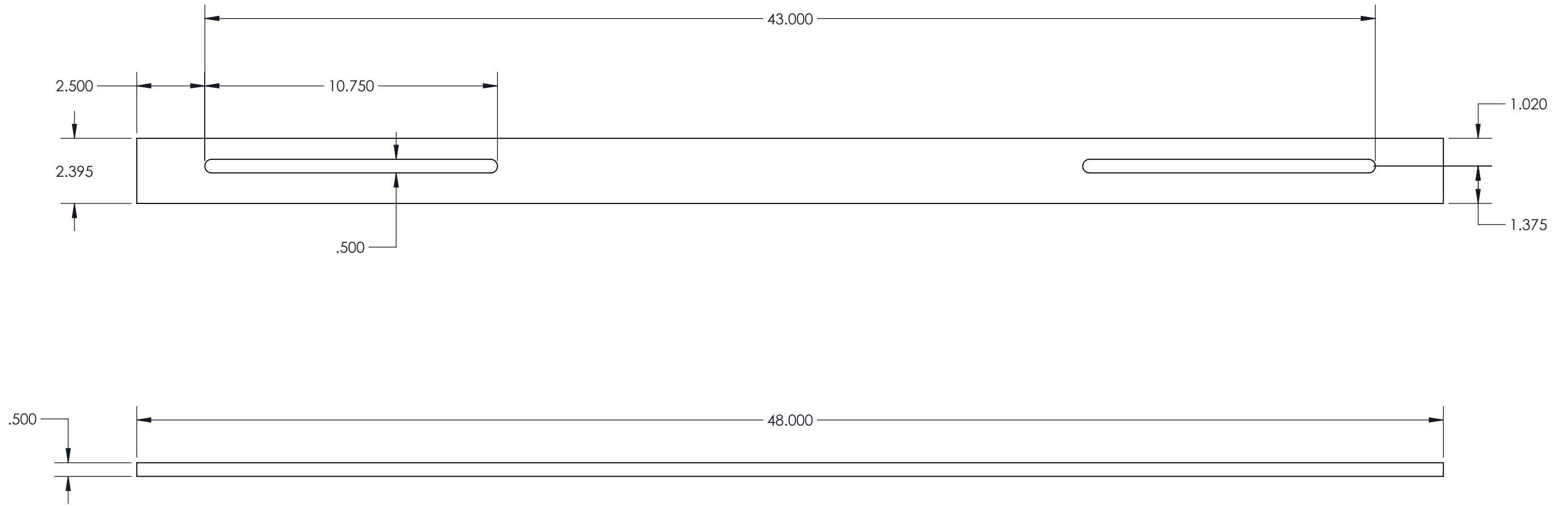
3

2

1

NOTES:

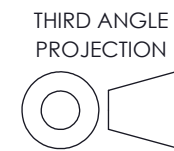
1. MATERIAL: FIBER GLASS
2. COLOR: GREEN OR BLACK
3. FINISH: CURED RESIN
4. LOAD: BEST IF USED BETWEEN 2.5 PSI AND 15 PSI



ALL DRAWINGS AND WRITTEN MATERIAL CONTAINED HEREIN ARE THE PROPERTY OF DIVERSITECH CORP AND MAY NOT BE DUPLICATED OR DISCLOSED AT ANY TIME UNLESS APPROVED IN WRITING BY DIVERSITECH CORP

INTERPRET THIS DRAWING IN ACCORDANCE WITH ASME Y14.5-2009 DIMENSIONING AND TOLERANCING STANDARDS

DEBURR ALL SHARP EDGES
DO NOT SCALE



TITLE			SIZE
KIP-RT kit for QSSB48			B
DRAWN BY	NAME	DATE	DRAWING NUMBER
CAD APPR.			QSAC5200
DWG APPR.			SCALE: 1:16
			SHEET 2 OF 2