

4

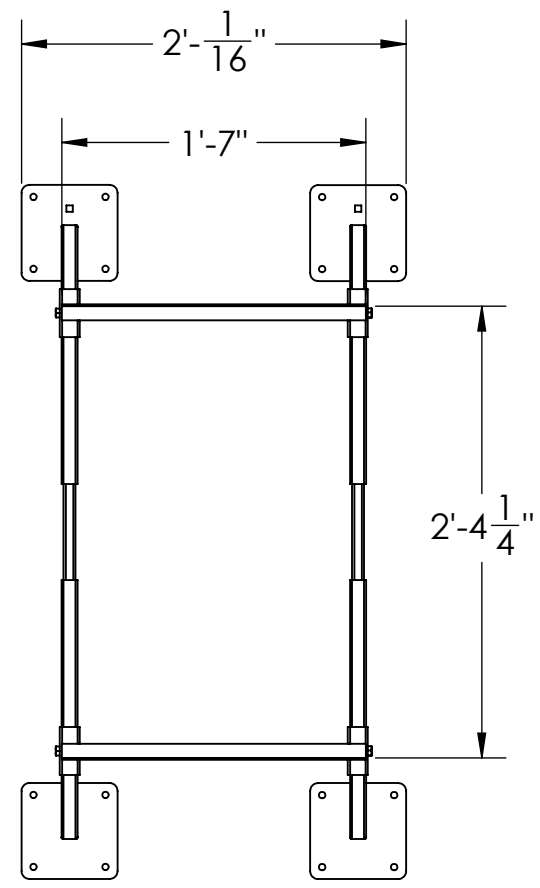
3

2

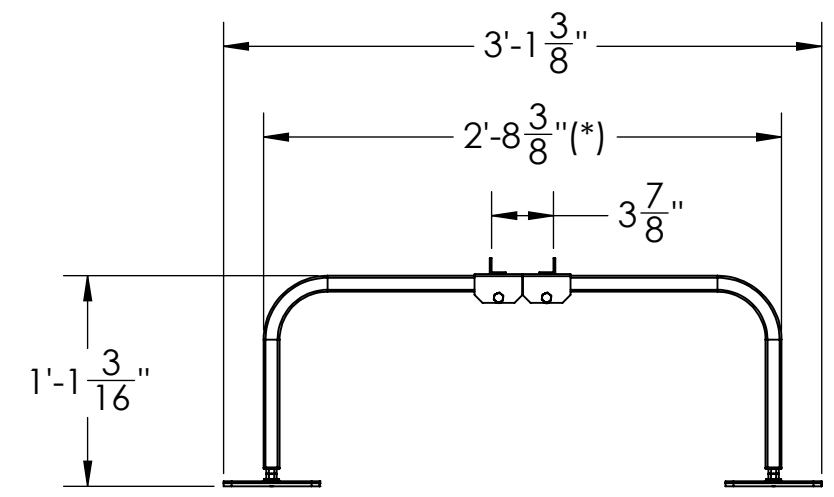
1

B

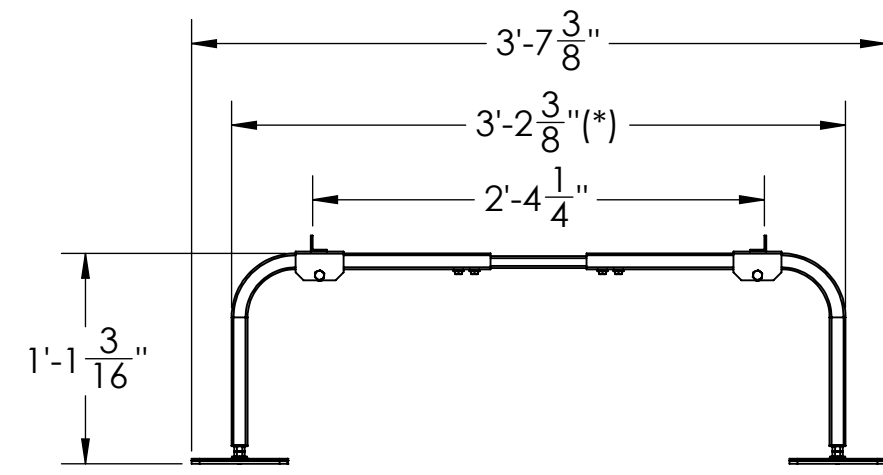
B



**PLAN VIEW EXPANDED**



**END VIEW RETRACTED**



**END VIEW EXPANDED**

(\*) - STAND WIDTH IS ADJUSTABLE IN 1" INCREMENTS

**IMPORTANT NOTE: THE INSTALLER IS RESPONSIBLE FOR THETHERING AND BOLTING UNITS TO WITHSTAND WIND AND/OR SEISMIC LOADS.**

A

A

4

3

2

1

UNLESS OTHERWISE SPECIFIED:  
 DIMENSIONS ARE IN INCHES [MILLIMETERS]  
 TOLERANCES ARE: ANGLES ±1.0°  
 FRACTIONAL SIZES X/Y ±1/64

INCHES	[MILLIMETERS]
X = ±0.1	[ X = ± 2.5 ]
.XX = ±0.01	[ .X = ± 1.3 ]
.XXX = ±0.005	[ .XX = ±0.13 ]

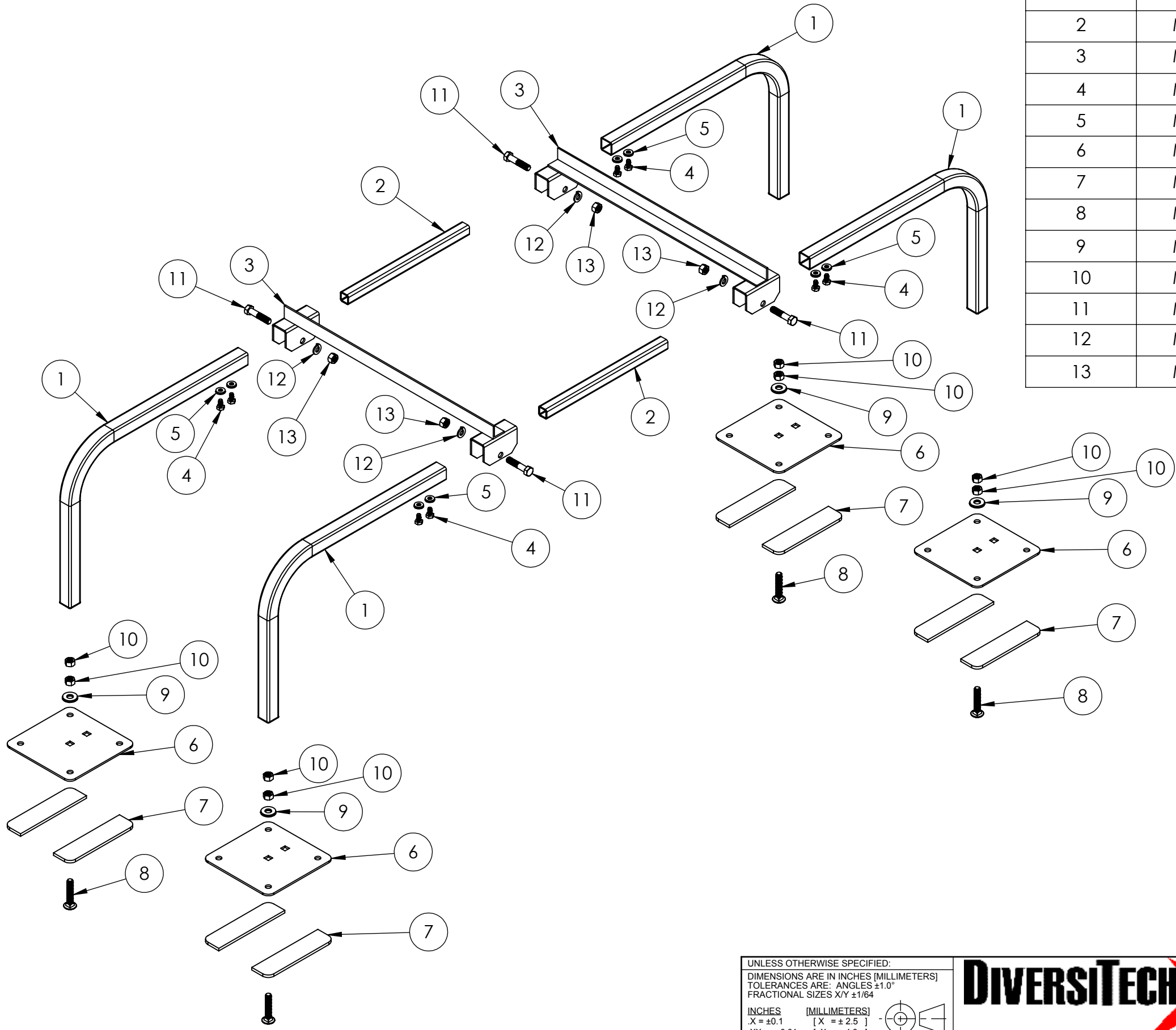
THIRD ANGLE PROJECTION



**CONFIDENTIAL - PROPRIETARY - DO NOT COPY**  
 THE INFORMATION SET FORTH IN THIS DOCUMENT AND RELATED INFORMATION IS THE CONFIDENTIAL PROPERTY OF DIVERSITECH CORPORATION, AND IS NOT TO BE COPIED OR REPRODUCED OR DISTRIBUTED IN ANY FORM WITHOUT PRIOR WRITTEN PERMISSION FROM DIVERSITECH CORPORATION.  
**DO NOT SCALE DRAWING**

MATERIAL:  
 DWG. NO. **QUICK SLING STAND - 4000**  
 MODEL NO. QSTD4000

WEIGHT  
**GMS.**  
 REV.  
 SHEET  
**1 OF 2**



ITEM NO.	PART NUMBER	DESCRIPTION	Default/ QTY.
1	MNT-A10-02-252	Mini Split 12in J-Bar	4
2	MNT-A10-03-240	Mini Split Extension Bar	2
3	MNT-A10-02-253	Iron Stand 19in Angle Iron Arm	2
4	MNT-A10-04-241	1/4-20x1/2in Zinc Hex Bolts	8
5	MNT-A10-04-242	1/4in Bonded Washers	8
6	MNT-A10-03-239	Mini Split 6x6 feet	4
7	MNT-A10-04-249	6x1.5 - Mini Split Rubber Foot	8
8	MNT-A10-04-244	3/8-16x2in Carriage Bolt Zinc	4
9	MNT-A10-04-248	3/8in Bonded Washer	4
10	MNT-A10-04-246	3/8in Zinc Hex Nut	8
11	MNT-A10-04-243	3/8-16x1 3/4in Hex Bolt Galv	4
12	MNT-A10-04-247	3/8in Split Washer Galv	4
13	MNT-A10-04-245	3/8in Galvanized Hex Nuts	4

NOTE - ALL ASSEMBLY HARDWARE IS INCLUDED

UNLESS OTHERWISE SPECIFIED:  
 DIMENSIONS ARE IN INCHES [MILLIMETERS]  
 TOLERANCES ARE: ANGLES ±1.0°  
 FRACTIONAL SIZES X/Y ±1/64

INCHES	[MILLIMETERS]
X = ±0.1	[ X = ± 2.5 ]
.XX = ±0.01	[ .X = ± 1.3 ]
.XXX = ±0.005	[ .XX = ±0.13 ]

THIRD ANGLE PROJECTION



CONFIDENTIAL - PROPRIETARY - DO NOT COPY THE INFORMATION SET FORTH IN THIS DOCUMENT AND RELATED INFORMATION IS THE CONFIDENTIAL PROPERTY OF DIVERSITECH CORPORATION, AND IS NOT TO BE COPIED OR REPRODUCED OR DISTRIBUTED IN ANY FORM WITHOUT PRIOR WRITTEN PERMISSION FROM DIVERSITECH CORPORATION. DO NOT SCALE DRAWING	MATERIAL: DWG. NO. QUICK SLING STAND - 4000 MODEL NO. QSTD4000	WEIGHT GMS. REV.
	DESCRIPTION	SHEET 2 OF 2