

6

5

4

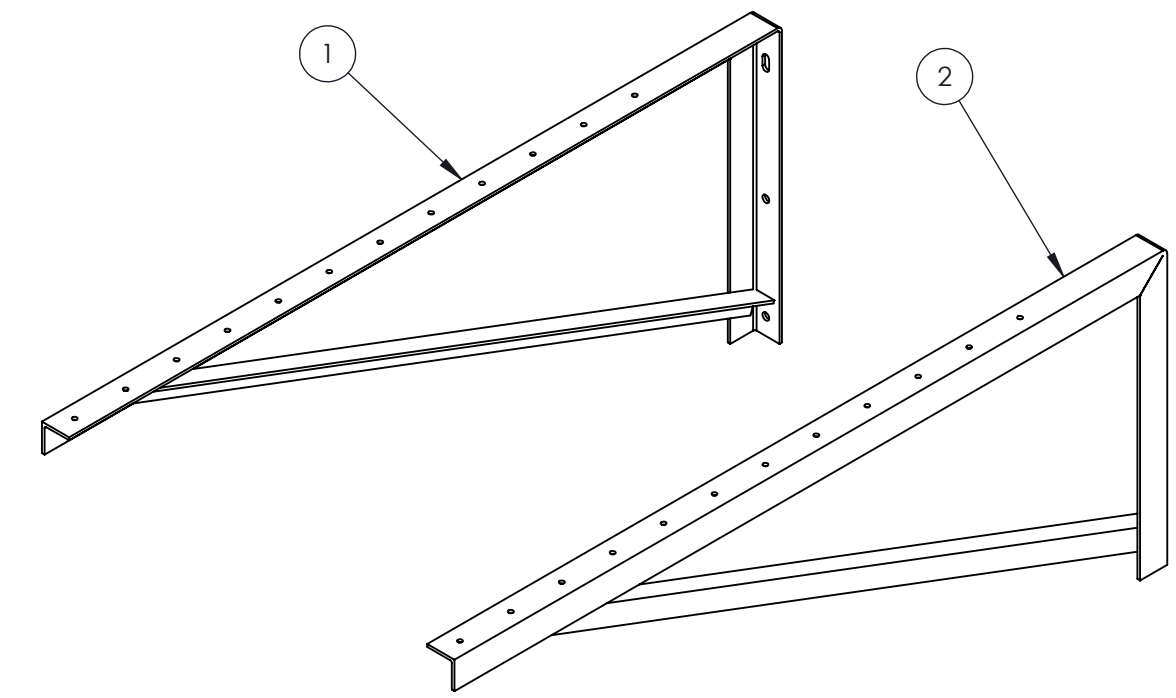
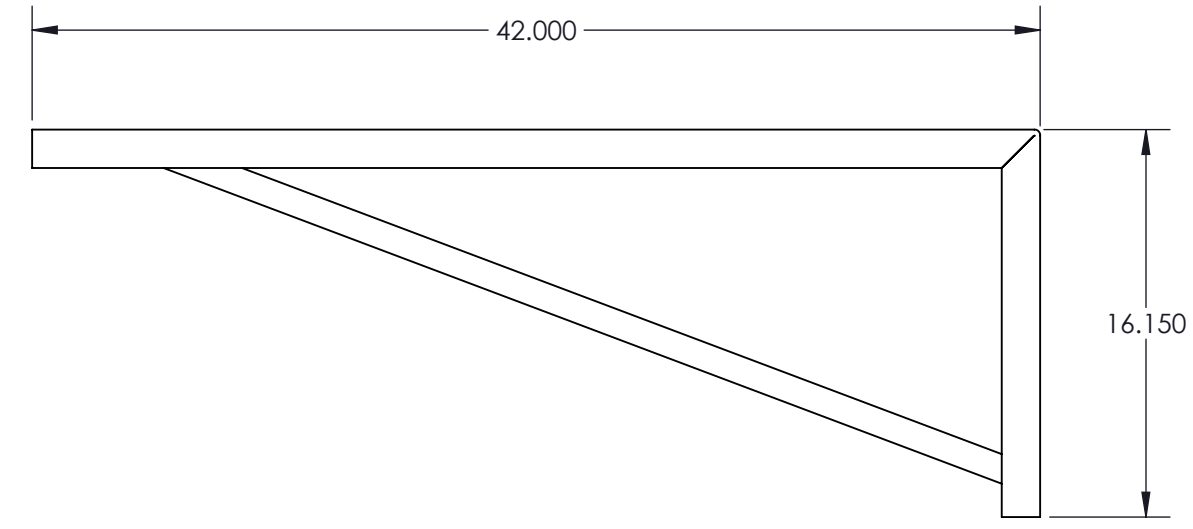
3

2

1

- NOTES:
1. MATERIAL: SEE COMPONENT DRAWINGS
 2. ALL BENDS SHOULD ASSUME 0.03 INCH RADIUS UNLESS OTHERWISE NOTED.
 3. COLOR: RAL7047
 4. FINISH: SEE COMPONENT DRAWINGS
 5. PRE-TREATMENT: SEE COMPONENT DRAWINGS

REVISIONS				
REV.	DESCRIPTION	DRAWN BY	APPR BY	APPR DATE



ITEM NO.	PART NUMBER	DEFAULT/ QTY.
1	ACB-42L	1
2	ACB-42R	1

ALL DRAWINGS AND WRITTEN MATERIAL CONTAINED HEREIN ARE THE PROPERTY OF DIVERSITECH CORP AND MAY NOT BE DUPLICATED OR DISCLOSED AT ANY TIME UNLESS APPROVED IN WRITING BY DIVERSITECH CORP INTERPRET THIS DRAWING IN ACCORDANCE WITH ASME Y14.5-2009 DIMENSIONING AND TOLERANCING STANDARDS	UNLESS OTHERWISE SPECIFIED DIMENSIONS & TOLERANCES ARE IN INCHES		DEBURR ALL SHARP EDGES *DO NOT SCALE*		TITLE	SIZE
	DIM RANGE	TOLERANCE				
	0.02 - 0.12	±0.008	THIRD ANGLE PROJECTION 	DRAWN BY: apadilla DATE: 9/13/2019	DRAWING NUMBER	
	0.12 - 0.24	±0.012			ACB-42	
	0.24 - 1.18	±0.020			SCALE: 1:1	
	1.18 - 4.72	±0.031			SHEET 1 OF 1	
	4.72 - 15.75	±0.047			QS-B-260819-0	
	15.75 - 39.4	±0.079				
	39.4 +	±0.118				

6

5

4

3

2

1