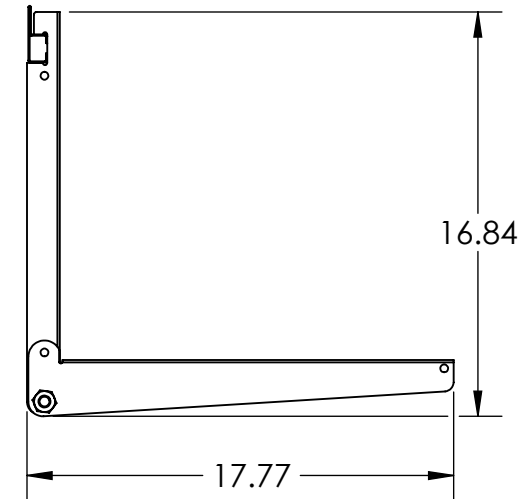
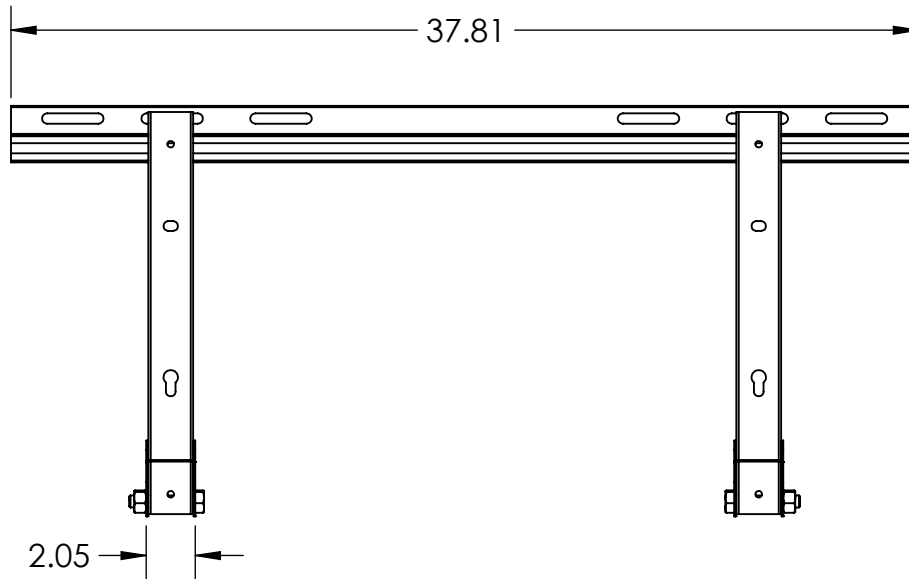
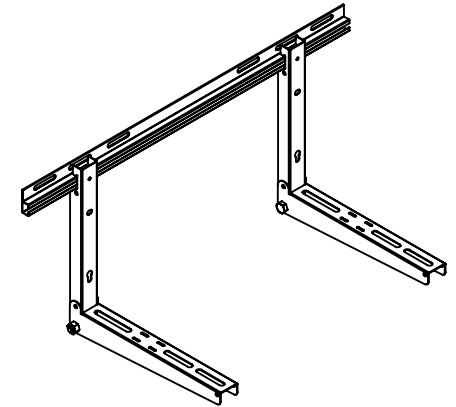


NOTES

MATERIAL: 1.5mm galvanized steel
 COLOR: Ivory white (powder coat)
 TEXTURE: gloss finish (powder coat)

REVISIONS					
REV	ZONE	DESCRIPTION	EC	NAME	DATE
A01		INITIAL RELEASE		DLC	8/5/16



MATERIAL: SEE NOTES
 FINISH: SEE NOTES



INTERPRET THIS DRAWING IN ACCORDANCE
 WITH ASME Y14.5-2009 DIMENSIONING AND
 TOLERANCING STANDARDS

ALL DRAWINGS AND WRITTEN MATERIAL
 CONTAINED HEREIN ARE THE PROPERTY
 OF DIVERSITECH AND MAY NOT BE
 DUPLICATED OR DISCLOSED AT ANY TIME
 UNLESS APPROVED IN WRITING BY
 DIVERSITECH

	NAME	DATE
DRAWN	DLC	8/5/16
CHECKED		
ENG APPR.		
MFG APPR.		
Q.A.		

UNLESS OTHERWISE SPECIFIED
 DIMENSIONS ARE IN (INCHES)/MM
 TOLERANCES IN MM

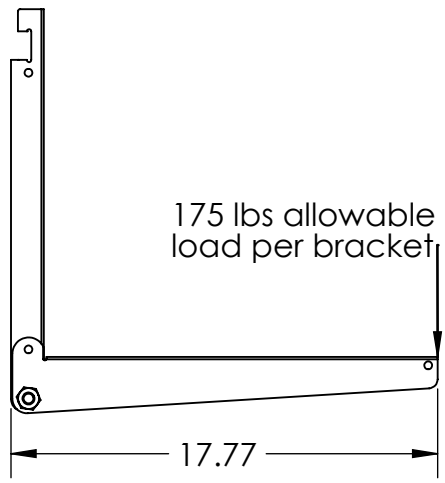
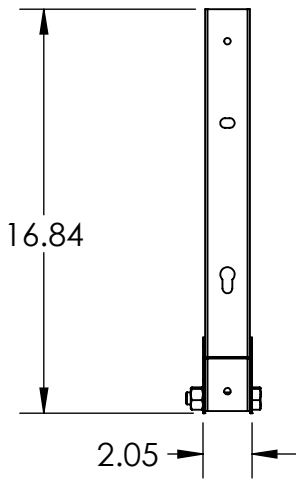
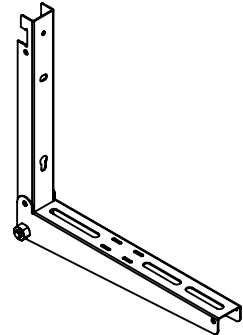
ANGULAR MACH $\pm 0.25^\circ$
 ANGULAR BEND $\pm 1^\circ$
 X: ± 2
 X.X ± 0.1
 X.XX ± 0.02
 X.XXX N/A

TITLE:

SIZE	DRAWING NUMBER	REV
A	230-B2M	A01
SCALE: 1:8	WEIGHT (lbs):	SHEET 1 OF 2

NOTES
 MATERIAL: 1.5mm galvanized steel
 COLOR: Ivory white (powder coat)
 TEXTURE: gloss finish (powder coat)

REVISIONS					
REV	ZONE	DESCRIPTION	EC	NAME	DATE
A01		INITIAL RELEASE		DLC	8/5/16



B

B

A

A

MATERIAL: SEE NOTES
 FINISH: SEE NOTES

INTERPRET THIS DRAWING IN ACCORDANCE WITH ASME Y14.5-2009 DIMENSIONING AND TOLERANCING STANDARDS

DIVERSITECH
Simplify The Way You Work

ALL DRAWINGS AND WRITTEN MATERIAL CONTAINED HEREIN ARE THE PROPERTY OF DIVERSITECH AND MAY NOT BE DUPLICATED OR DISCLOSED AT ANY TIME UNLESS APPROVED IN WRITING BY DIVERSITECH

	NAME	DATE
DRAWN	DLC	8/5/16
CHECKED		
ENG APPR.		
MFG APPR.		
Q.A.		

UNLESS OTHERWISE SPECIFIED
 DIMENSIONS ARE IN (INCHES)/MM
 TOLERANCES IN MM

ANGULAR MACH $\pm 0.25^\circ$
 ANGULAR BEND $\pm 1^\circ$
 X: ± 2
 X.X ± 0.1
 X.XX ± 0.02
 X.XXX N/A

TITLE:		
SIZE	DRAWING NUMBER	REV
A	230-B2M	A01
SCALE: 1:8	WEIGHT (lbs):	SHEET 2 OF 2