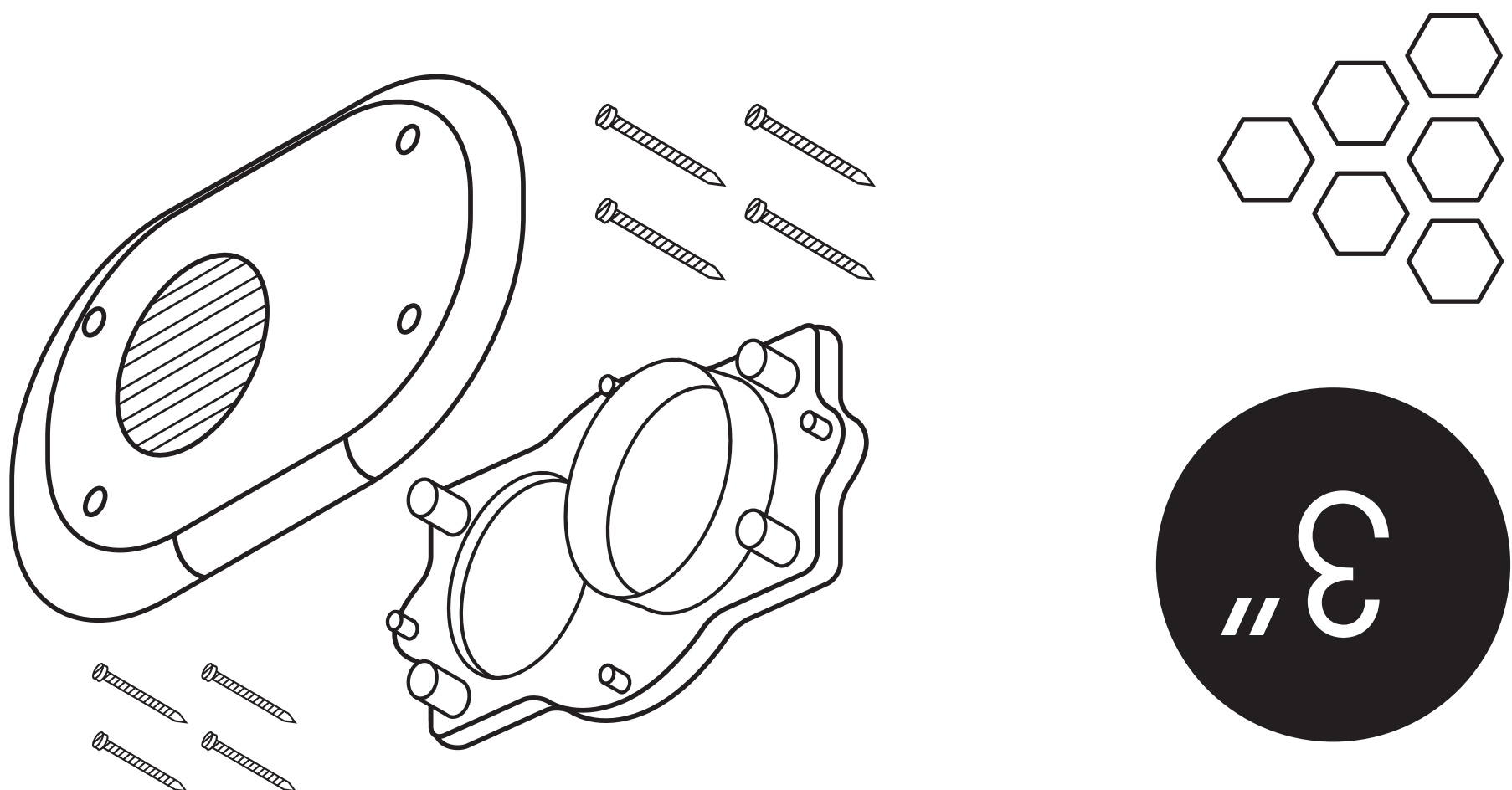




WARNING
This vent kit must be installed by a qualified service technician. Codes and local utility requirements governing the installation of gas fired equipment, wiring, plumbing, and flue connections must be adhered to. In the absence of local codes, the installation must conform with the national fuel gas code ANSI Z223.1 "latest edition," or CAN/CGA B149 installation codes. The latest code may be obtained from the International Approval Services, 8501 E. Pleasant Valley Rd., Cleveland, Ohio 44131, or 55 Scarsdale Rd., Toronto, Ontario, Canada, M3B 2R3.



Low Profile Vent Termination Kit



HVENT-3

HVENT-3



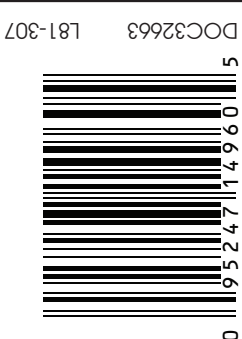
Low Profile Vent Termination Kit



KIT CONTENTS:

- Vent Cap
- Vent Plate
- Mounting Hardware

NOTICE: Field supplied pipe and fittings are required to complete the installation



Installation - Side Wall Vent

NOTICE: For proper function, never install vent on side of structure exposed to prevailing winter winds. Consult your furnace installation instructions for allowable exhaust and intake air pipe placement and length. Do not install more than one furnace per vent without consulting furnace manufacturer.

Figure 1: Install air intake piping and vent into vent plate openings. This installation method can be used for non-direct vent termination as well.

NOTICE: For proper function and to allow for field disassembly for inspection and cleaning, seal all gaps and all pipe penetrations in wall with SILICONE SEALANT. Do not install vent kits above one another. This will keep condensate from freezing.

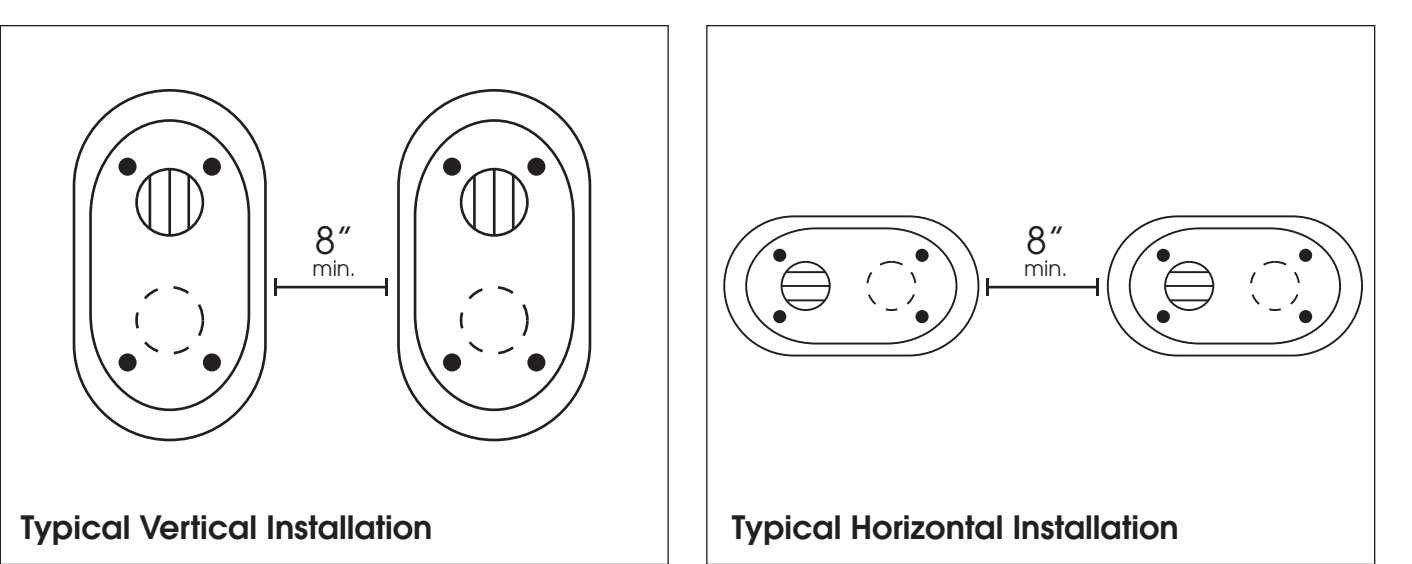
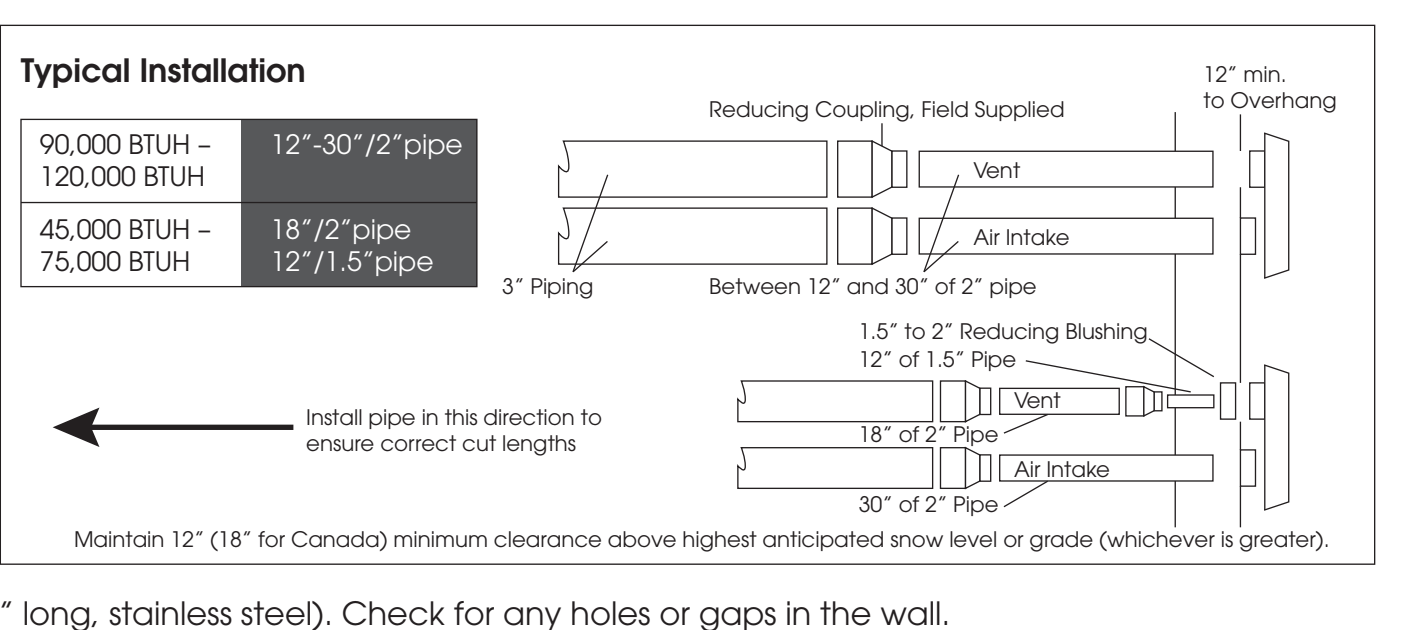


Figure 2:

NOTICE: Vent should extend no further than 2 1/4" beyond vent plate. Air intake should extend no further than 1" beyond vent plate. Find air intake holes and four mounting holes using vent plate as a guide. Make note of the minimum clearances. Cut two 3-1/2" diameter holes for air intake and vent. Drill four 3/16" holes and insert plastic anchors into the wall. Secure vent plate with four supplied screws (#8 pan, 2" long, stainless steel). Attach vent cap to vent plate and secure with four supplied screws (#8 pan, 2" long, stainless steel). Check for any holes or gaps in the wall.



WARNING
Do not operate the furnace without the side wall cap. In place as recirculation of combustion products may occur. Water may also collect inside the combustion air pipe and flow to the burner enclosure. Failure to follow this warning could result in product damage or improper operation, personal injury or death.

WARNING
These instructions are intended as an aid to qualified service personnel for proper installation, adjustment and operation of this unit. Read these instructions thoroughly before attempting installation or operation. Failure to follow these instructions may result in improper installation, adjustment, service or maintenance, possibly resulting in fire, carbon monoxide poisoning, explosion, property damage, personal injury or death.